

REVERSIBLE **AUTOPACKS**

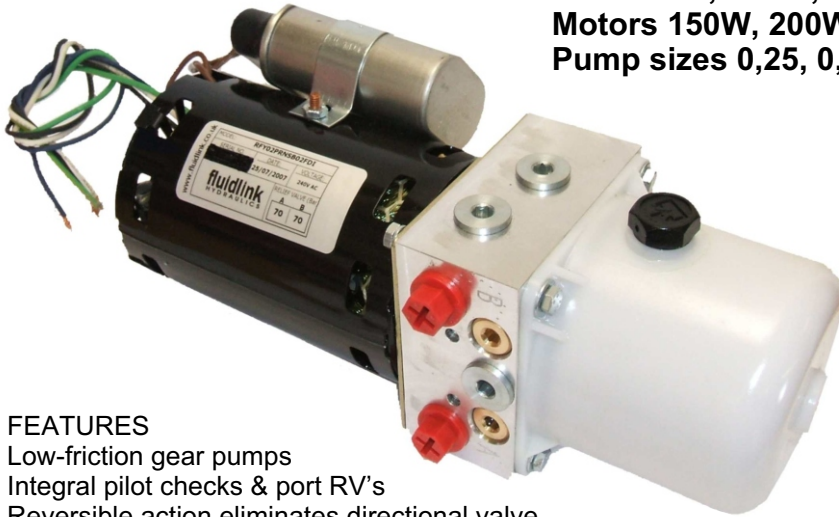
200W AC Motor

Versatile range of micro power units for mobile and small industrial applications.

Flows to 2,2l/min; Pressures to 180bar

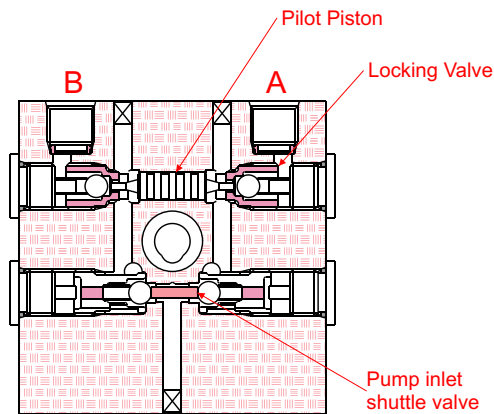
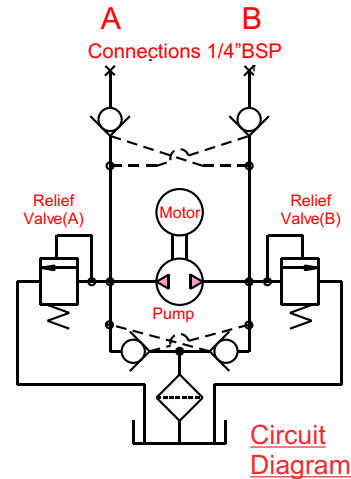
Motors 150W, 200W, 500W & 800W dc or **200W ac**

Pump sizes 0,25, 0,50 & 0,75cc/rev

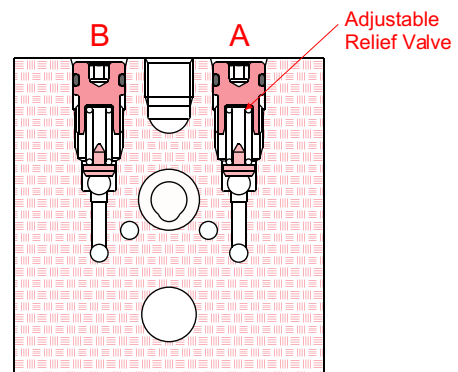


FEATURES

- Low-friction gear pumps
- Integral pilot checks & port RV's
- Reversible action eliminates directional valve
- Quiet operation with long life
- Easy to install with integral mounting points
- Wide range of options
- Customised OEM versions available
- Global support & servicing



Section through **Autopack** showing (top) Integral Pilot Checks and (below) the suction valve shuttle which allows oil to circulate through the pump.



Secondary section through **Autopack** showing Integral Relief Valves allowing individual pressure setting for each port.

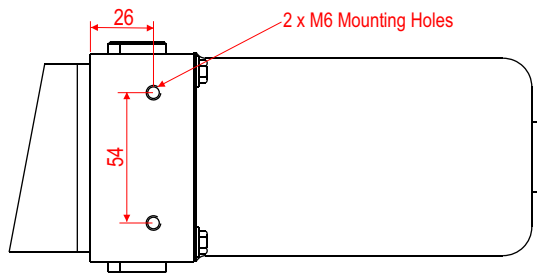
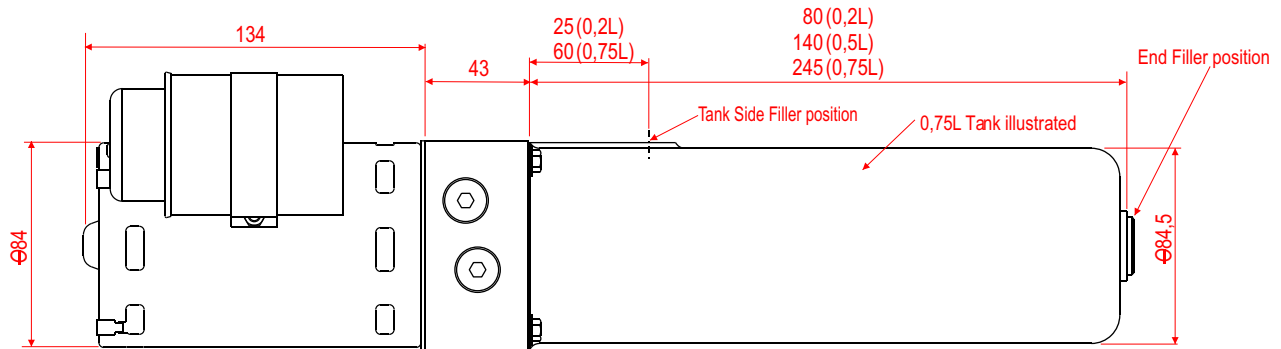
fluidlink
HYDRAULICS

9 Harris Road
Porte Marsh Industrial Estate
Calne
Wiltshire, SN11 9PT

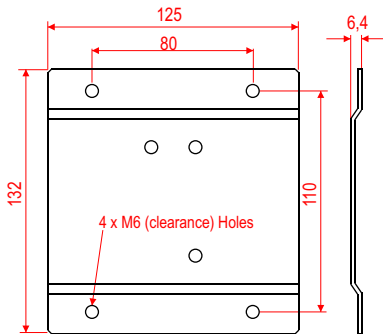
(T) 01249 818555
(F) 01249 818666
www.fluidlink.co.uk

REVERSIBLE **AUTOPACKS**

200W AC Motor



Underside of Autopack (0.5L Tank shown)
 Note- when used vertically tank must be uppermost.
 When horizontal, mounting face must be lowest.

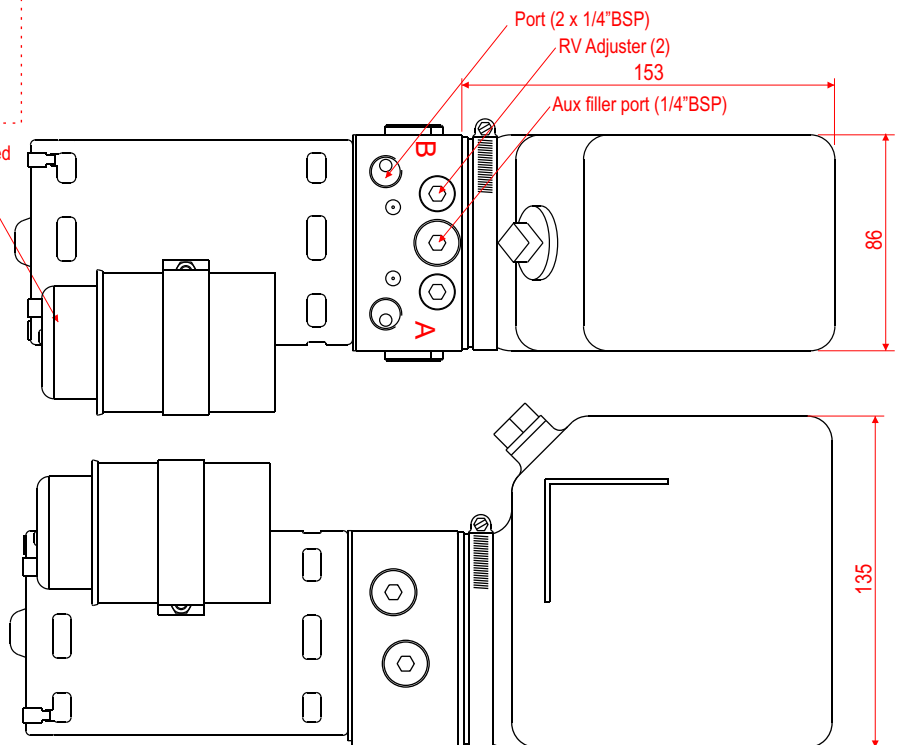
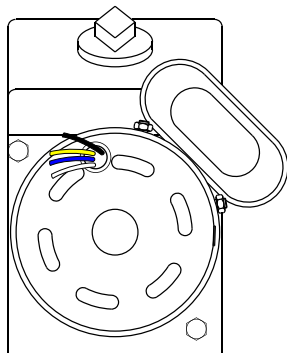


Mounting Plate 101876

Motor Wiring

White	Common
Black	CWLE
Blue	CCWLE
Grn/Yellow	Earth

Capacitor pre-wired to motor with BROWN wires

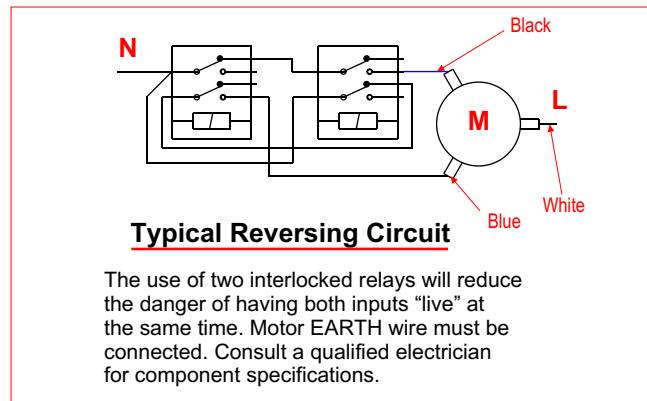
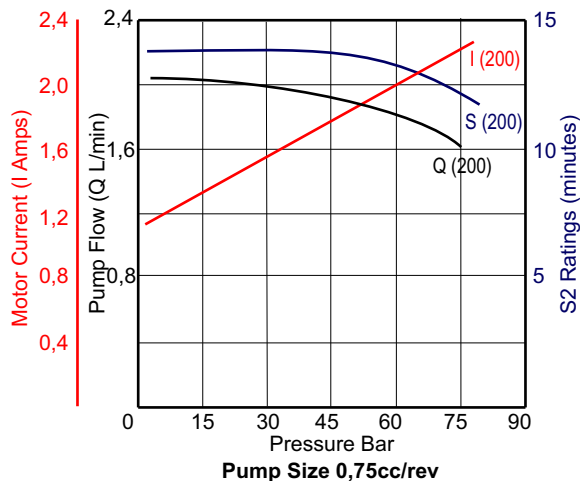
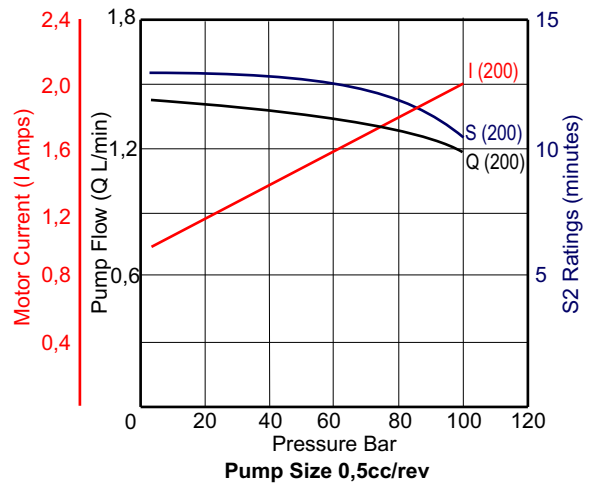
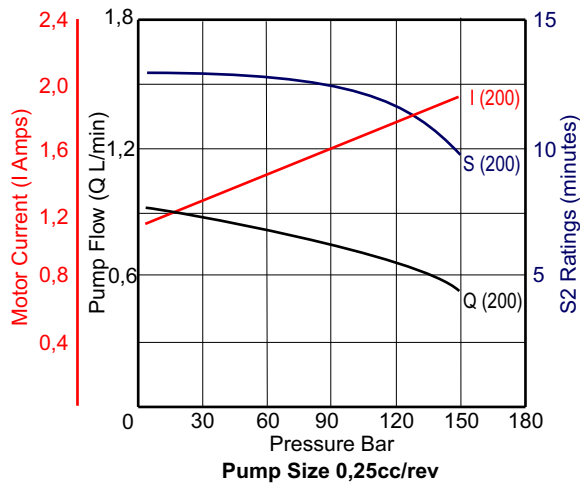


Autopack with 1.0L Tank
 Note- can only be used horizontally

PERFORMANCE DATA REVERSIBLE **AUTOPACKS** 200W AC Motor

Nominal performance of pack combinations at constant voltage and at nominal 20°-25° C with ISO VG22 oil.

Key to diagrams:- (Black) Flow rate (Q)
(Red) Current (A)
(Blue) S2 run time



Installation, Operation, Commissioning

If mounting vertically, the tank must be uppermost. The 1L tank (code B10) must be horizontal. Tanks must normally be vented to atmosphere. The volume is reduced if used unvented due to the need for air space. It can be very difficult to fill the tank through the body tapping due to air locks. Remove the tank for initial filling.

Reversible Operation. The motor may be reversed using the circuit above as a guide. Beware that the un-connected lead will be "live" when the motor is running.

Priming. Reversible packs can appear not to work when first commissioned. Invariably they will need air bleeding from the pump suction valves. Loosen the lower side plugs while the pack is running until all the trapped air has bubbled out. This will not be needed again unless oil is lost from the pack.

AC Motors. Due to the characteristics of AC motors they may not always start under load. The hydraulic system may be modified to overcome this. The 'RFY' motor is fitted with a self-resetting thermal cut-out to protect the motor if the S2 times are exceeded.

Reversible AUTOPACKS - TECHNICAL DATA

Hydraulic Fluid(recommended)

Mineral hydraulic oil (HM or HV)
 For normal ambient temp range (0°C-40°C)
 ISO VG22 to ISO VG46
 Working temp (ambient) -20°C - +40°C

Weight (app) kg

With 150/200W motor 2,8kg

Maximum Pressure (see performance curves)

All pump sizes 180bar

Options Available

Reversing Start Switch
 Remote Start/Stop Switch Pendants
 Foot mounting bracket
 Circuit variations available eg. for single acting circuits, auxiliary connection ports etc. (min quantity may be required).

MAIN SPARES KITS

Pump Kit	KPF0**06A	** = pump code ref	Centre Plate Kit	KCAA1101B
Seal Kit	KSKA01A		Foot Mtg Bracket	101876
Motor Kit	KMDRFY01A			
Tank Kit	KTA***01A	***= tank code ref (eg E05)		

Reversible AUTOPACK - ORDERING CODES

200W AC Motor

R	F Y	0 5	P R N S	N N N	X X X
Reversible	Motor	Pump Capacity	Circuit Elements	Tank	Special Code
R	F Y 230V 50Hz 200W N N No motor X X Special	02 0,25 cc/rev 05 0,50 cc/rev 07 0,75 cc/rev XX Special	P Pilot Check Valve R Relief Valve M Manual Release S Standard Body X Special N N N N None Fitted	B Side Filler C Side Filler (tank) Not with 05 E End Filler P Pressurised Not with 10 S Without Filler 0 2 0,2L capacity plastic 0 5 0,5L capacity steel 0 7 0,75L capacity plastic B 1 0 1,0L capacity plastic X X Special	Allocated by manufacturer for all custom and non-standard assemblies.

The products are subject to development and the manufacturer reserves the right to change the specifications without notice

Items THUS are non-preferred.