

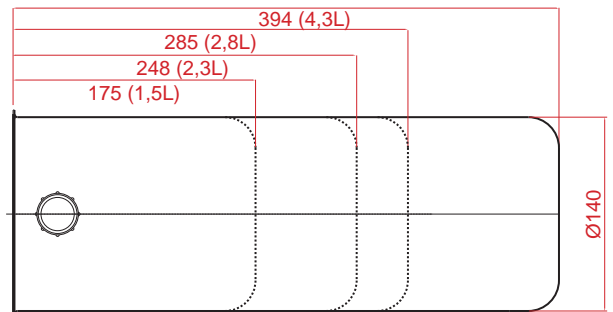
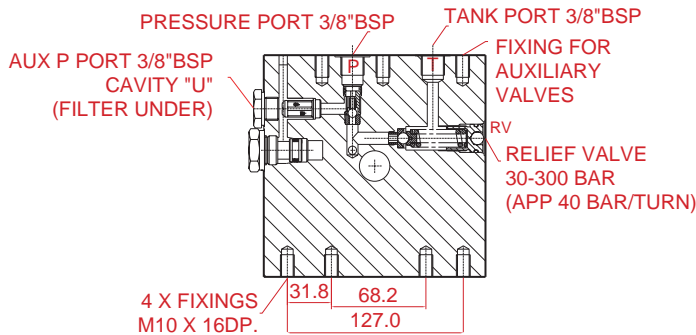
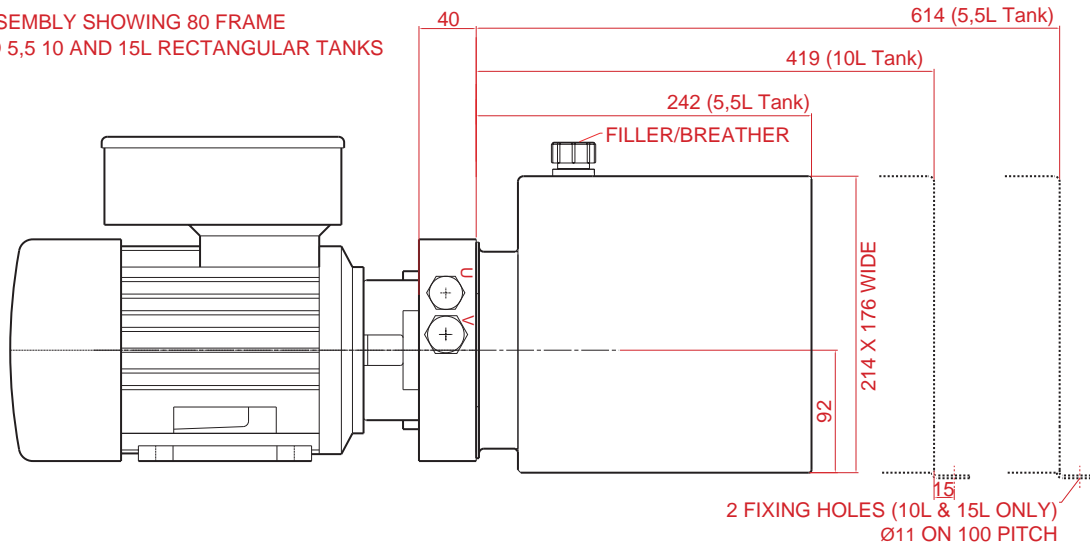
**Mk3c AC  
POWER PACKS**

**Versatile range of single & three-phase power packs for mobile and industrial applications**  
**Flows up to 12 l/ min**  
**Pressures to 270 bar**  
**Motors up to 4kW (3-ph) and 2,2kW (1-ph)**

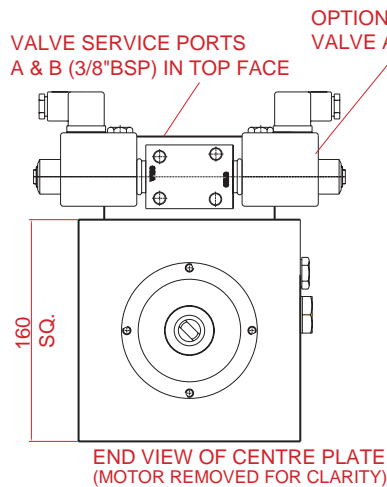
**Pressure balanced gear pumps for quiet operation**  
**Versatile horizontal or vertical configuration**  
**Interchanges with market-leading products**  
**Single phase motors will start under load**

**Solid aluminium alloy centre plate**  
**Wide range of options available**  
**Precision "quiet" relief valve**

TYPICAL ASSEMBLY SHOWING 80 FRAME MOTOR AND 5,5 10 AND 15L RECTANGULAR TANKS

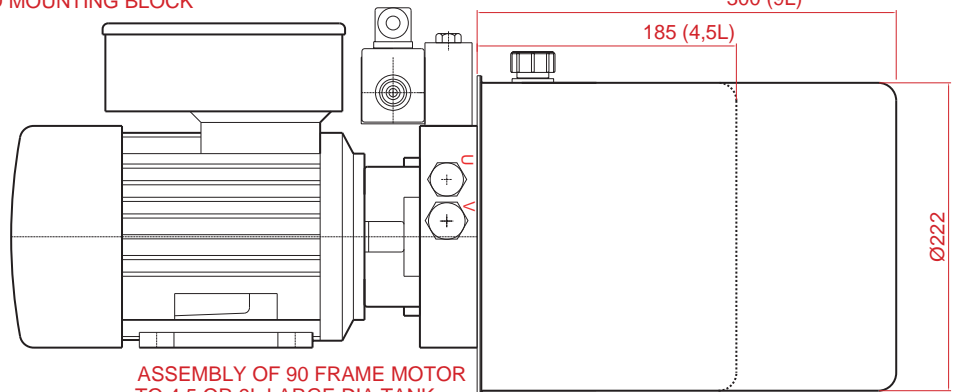


ALTERNATIVE ROUND (140MM) TANKS



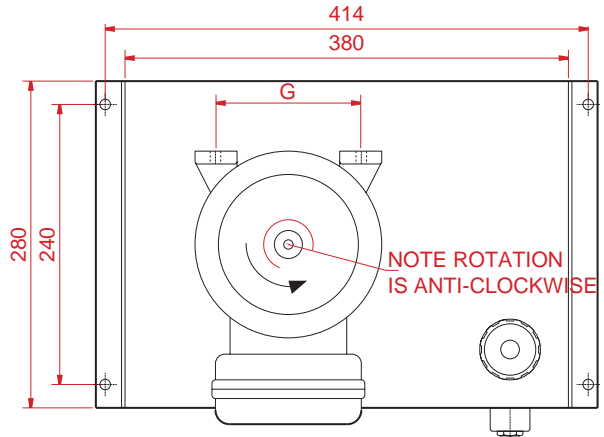
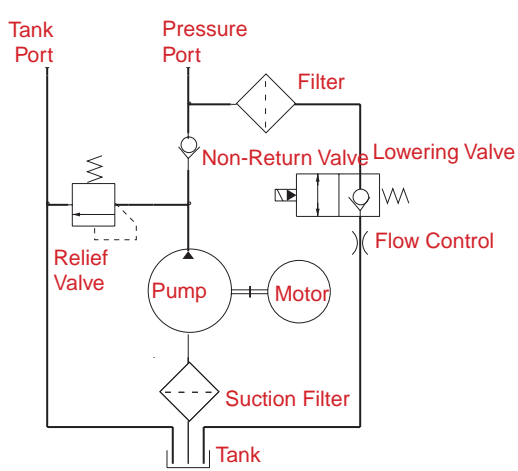
END VIEW OF CENTRE PLATE (MOTOR REMOVED FOR CLARITY)

OPTIONAL CETOP03 SOLENOID VALVE AND MOUNTING BLOCK



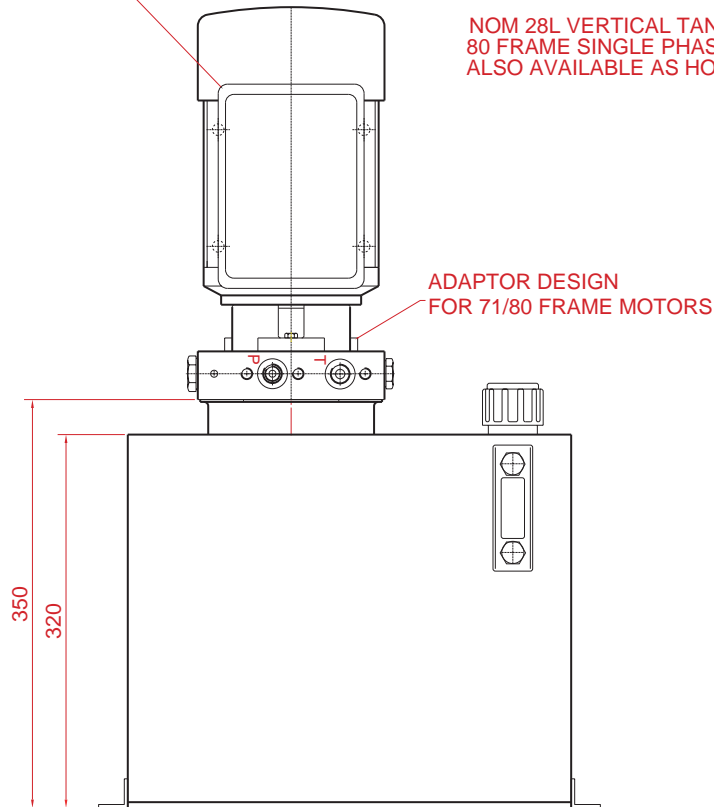
ASSEMBLY OF 90 FRAME MOTOR TO 4,5 OR 9L LARGE DIA TANK AND OPTIONAL ISO STANDARD SOLENOID VALVE

# Mk3c AC POWER PACKS



1-PHASE MOTOR TERMINAL BOX SHOWN  
3-PHASE BOX IS SMALLER

NOM 28L VERTICAL TANK  
80 FRAME SINGLE PHASE MOTOR SHOWN  
ALSO AVAILABLE AS HORIZONTAL ASSEMBLY



## SELECTION TECHNICAL

To select the pack needed refer to the chart below listing the flows and maximum pressures available from each pack.

Decide whether a single-phase or a three-phase power pack best suits the application and then select low speed (1400 rpm) or high speed (2820 rpm). Choose the pack with output flow and pressure nearest to the requirements of the application.

The dimensions of the motor and coupling adaptor may be found by reference to the lower charts.

### Range Available

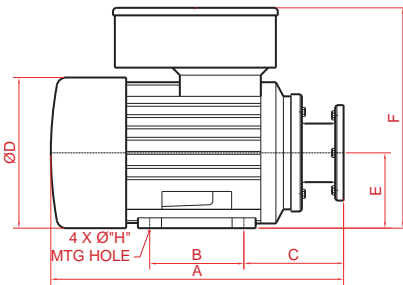
Pump cc/rev	1400 rev/min		2820 rev/min	
	Flow litre/min	Pressure bar	Flow litre/min	Pressure bar

0,37 kW Motor (D)

1,0	1,4	125	2,8	65
1,5	2,1	85	4,2	40
2,3	3,2	55	6,5	30
3,0	4,2	40		
3,3	4,6	35		
4,3	6,0	30		

Flows in tables are maximum flows unloaded.

Higher pressures may be used for intermittent operation. Please contact Fluidlink with specific requirements



Pump cc/rev	1400 rev/min		2820 rev/min	
	Flow litre/min	Pressure bar	Flow litre/min	Pressure bar

0,55 kW Motor (E)

1,0	1,4	190	2,8	95
1,5	2,1	125	4,2	65
2,3	3,2	80	6,5	40
3,0	4,2	65	8,5	30
3,3	4,6	55	9,3	25
4,3	6,0	45		

0,75 kW Motor (F)

1,0	1,4	250	2,8	125
1,5	2,1	170	4,2	85
2,3	3,2	110	6,5	55
3,0	4,2	85	8,5	45
3,3	4,6	75	9,3	40
4,3	6,0	60	12,1	30

1,10 kW Motor (G)

1,0			2,8	185
1,5	2,1	250	4,2	125
2,3	3,2	160	6,5	80
3,0	4,2	125	8,5	65
3,3	4,6	115	9,3	55
4,3	6,0	85	12,1	45

Pump cc/rev	1400 rev/min		2820 rev/min	
	Flow litre/min	Pressure bar	Flow litre/min	Pressure bar

1,5 kW Motor (H)

1,5			4,2	170
2,3	3,2	225	6,5	110
3,0	4,2	170	8,5	85
3,3	4,6	155	9,3	75
4,3	6,0	120	12,1	60

2,2 kW Motor (J)

2,3			6,5	160
3,0	4,2	250	8,5	125
3,3	4,6	210	9,3	115
4,3	6,0	170	12,1	85

3,0 kW Motor (K)

3,0			8,5	170
3,3			9,3	155
4,3			12,1	120

4,0 kW Motor (L)

3,0			8,5	225
3,3			9,3	210
4,3			12,1	160

### Installation - Motor Selection

### Motor Dimensions (Typical)

Frame	One Phase Motors							
	Size	Dim "A"	Dim "B"	Dim "C"	Dim "D"	Dim "E"	Dim "F"	Dim "G"
71A/B	295	90	85	139	71	206	112	7
80A/B	317	100	90	160	80	234	125	8
90SB	378	100	119	180	90	252	140	9
90LB	403	125	119	180	90	252	140	9
100L/LA/LB	448	140	131	194	100	271	160	11

Motor kW	1400 rev/min		2820 rev/min	
	Single Phase	Three Phase	Single Phase	Three Phase
0,37	71B	71B	71A	71A
0,55	80A	80A	71B	71B
0,75	80B	80B	80A	80A
1,10	90SB	90S	80B	80B
1,50	90LB	90L	90SB	90S
2,20	100LD	100LA	100LB	90L
3,00	N/A	100LB	N/A	100L
4,00	N/A	112M	N/A	112M

Single phase motors are 220/240v 50Hz  
Three phase motors are 380/415v 50Hz

Frame	Three Phase Motors							
	Size	Dim "A"	Dim "B"	Dim "C"	Dim "D"	Dim "E"	Dim "F"	Dim "G"
71A/B	241	90	85	140	71	180	112	7
80A/B	270	100	90	160	80	206	125	8
90S	310	100	119	180	90	217	140	9
90L	335	125	119	180	90	217	140	9
100L/LA/LB	373	140	131	194	100	260	160	11
112M	391	140	138	218	112	284	190	11

# TECHNICAL DATA ORDERING

Maximum Pressures	1,0 1,5 2,3 cc/rev	275 bar
	3,3 cc/rev	240 bar
	4,3 cc/rev	200 bar

## Technical Specification

### Hydraulic Fluid (recommended)

Type Mineral based hydraulic oil (HM or HV)  
Viscosity

Ambient > 0°C ISO VG22 to 46

### Ambient Temperatures

Maximum +40°C  
Minimum -20°C

### Weight

Typical assembly, dry 12,5kg

### Options Available

Unloading valves  
Filtration  
Electrical controls  
Manifolds/valves Cetop03  
Manifolds/valves Series 35  
Larger tanks (17L & 28L): special tanks made to order  
Complete systems if required

## Ordering Codes

<b>Z F 2</b>			<b>1 0</b>		<b>V</b>	<b>2 3</b>		<b>S</b>	<b>3</b>	<b>N N</b>	
Motor			Pump Capacity		Mounting Positions	Tank Size (working volume)		Lowering Valve	Flow Control Valve (rated flows)	Ancillary Valves	

Y		Single phase AC Flange mounted	V	Vertically mounted	S	Solenoid operated (specify coil voltage)	C	T	CETOP 3 subplate
Z		Three phase AC Flange mounted	H	Horizontally mounted	X	Special	3	5	Series 35 subplate
	D	0,37kW	X	Special mounting		N	N	N	None
	E	0,55kW				X	X	X	Special
	F	0,75kW							
	G	1,10kW							
	H	1,50kW							
	J	2,20kW							
	K	3,00kW							
	L	4,00kW							
	X	Special							
	2	2-pole (2800rpm)							
	4	4-pole (1400rpm)							
N	N	None fitted							

07	0,7 cc/rev
10	1,0 cc/rev
15	1,5 cc/rev
23	2,3 cc/rev
33	3,3 cc/rev
43	4,3 cc/rev

1	5	1,5 litres
2	3	2,3 litres
2	8	2,8 litres
4	3	4,3 litres
4	5	4,5 Litres
9	0	9,0 litres
R	1	5,5 litres
R	2	10 litres
R	3	15 litres
R	4	17 litres
R	5	28 litres
N	N	None
X	X	Special

1	1,2 l/min
2	2,0 l/min
3	2,5 l/min
4	4,0 l/min
5	5,0 l/min
7	7,5 l/min
9	9,0 l/min
N	None
X	Special

## Main Spares Kits (see separate sheet for comprehensive list)

Pump Kit Code: KPH\*\*01A \*\* = pump size (see ordering codes)  
 Tank Kit Code: KT3\*\*\*!01A \*\*\* = tank size (see ordering codes)  
 ! = Horizontal (H) or Vertical (V)

Motor Coupling Kit Code: KAAN\*01A \* = 1st number of motor  
 Frame size (eg 8 for 80 Frame)

Valve Mounting Block Code: KB3SNN01A for Cetop03 valves  
 Code: KB33NN01A for Series 30/35 valves

Seal Kit Code: KSK301A

Distributed by:-



*The products described are subject to development and the manufacturer reserves the right to change the specifications without notice.*



### Fluidlink Hydraulics Ltd.

9 Harris Road, Porte Marsh Industrial Estate  
 Calne, Wiltshire. SN11 9PT  
 England.  
 E-mail: sales@fluidlink.co.uk.



Tel: + 44 (0)1249 818555  
 Fax: + 44 (0)1249 818666  
 www.fluidlink.co.uk

