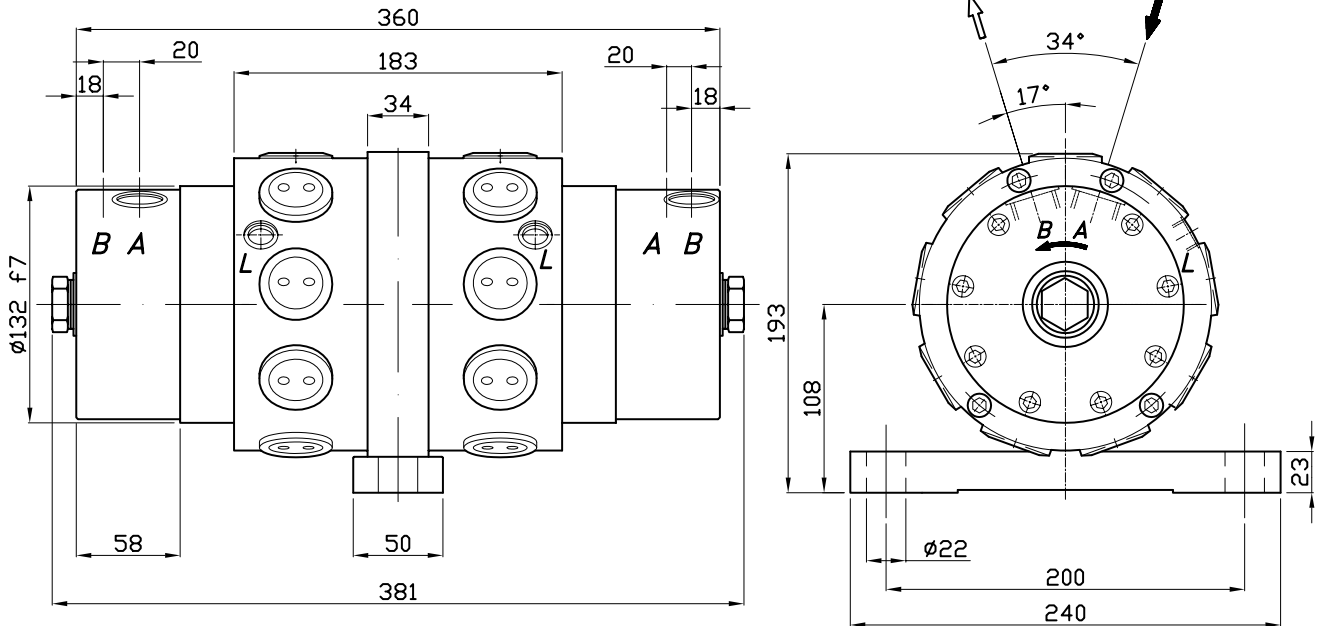


SIZE

FD 20-27-34 D20

PORTS DIMENSION	
A,B	3/4" BSPP
L	1/4" BSPP

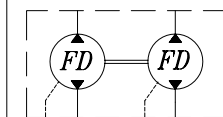


TECHNICAL DATA

FD 20-27-34 D20

MODEL	Flow per section		Displacement per section cc/Rev	Working pressure			Power per section kW
	l/min (cont)	l/min (max)		continuous bar	intermittent bar	maximum bar	
FD20	25	35	20	250	280	320	9
FD27	35	50	27	250	280	320	12
FD34	45	60	34	250	280	320	15

Flow Divider Symbol
(with 2 sections)

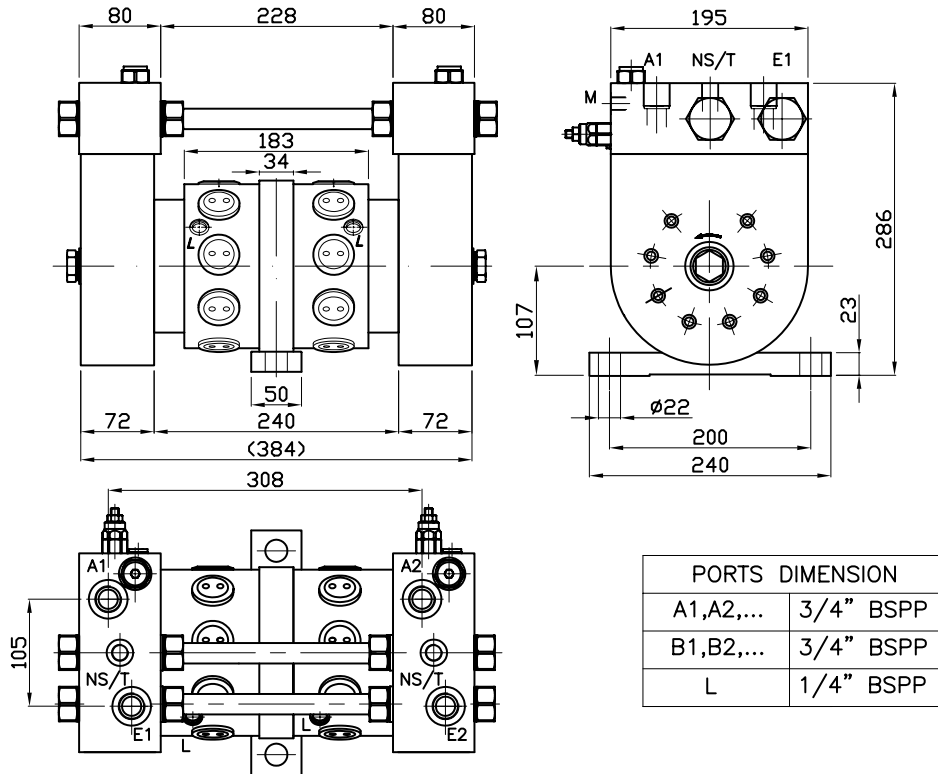


Dry weight 55 kg

Max case pressure 20 bar

SIZE

FD 20-27-34 D21 VB



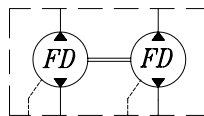
TECHNICAL DATA

FD 20-27-34 D21 VB

MODEL	Flow per section		Displacement per section cc/Rev	Working pressure			Power per section kW
	l/min (cont)	l/min (max)		continuous bar	intermittent bar	maximum bar	
FD20	25	35	20	250	280	320	9
FD27	35	50	27	250	280	320	12
FD34	45	60	34	250	280	320	15

Refer to page 29 for valve technical data, valve dimensions and hydraulic circuit.

Flow Divider Symbol
(with 2 sections)



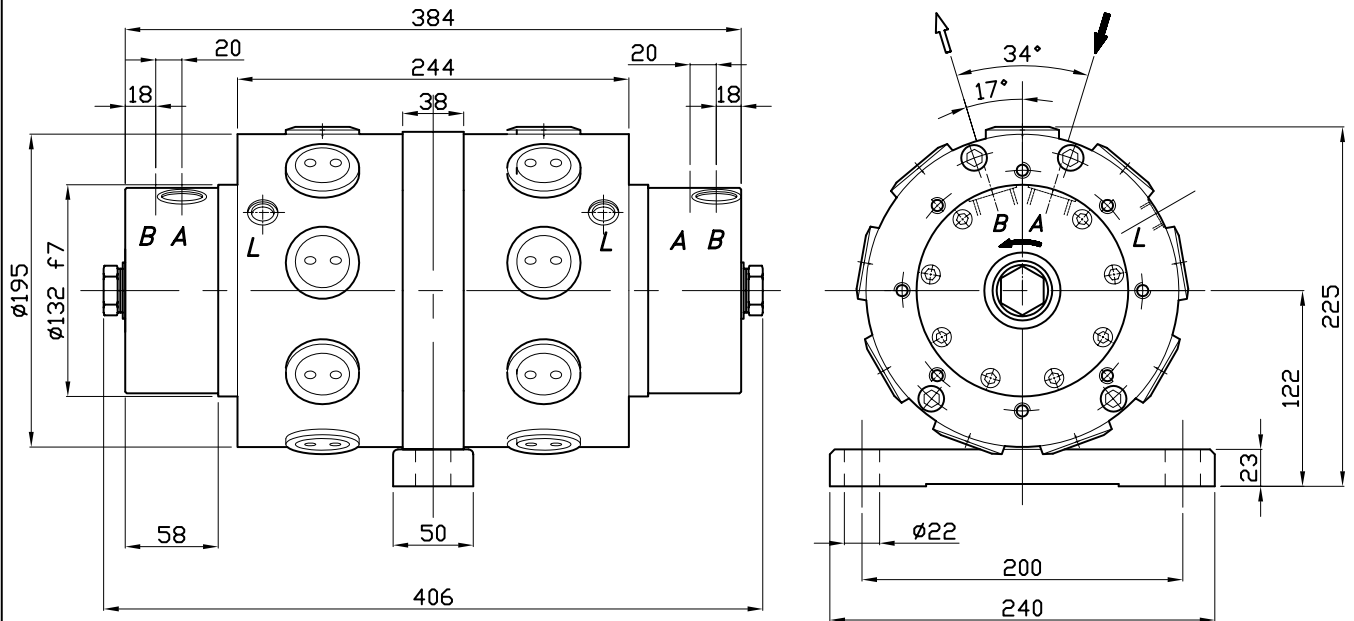
Dry weight 55 kg

Max case pressure 20 bar

SIZE

FD 50-75-90-100 D20

PORTS DIMENSION	
A,B	3/4" BSPP
L	1/4" BSPP

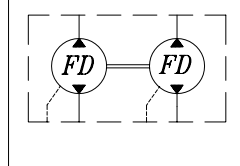


TECHNICAL DATA

FD 50-75-90-100 D20

MODEL	Flow per section		Displacement per section cc/Rev	Working pressure			Power per section kW
	l/min (cont)	l/min (max)		continuous bar	intermittent bar	maximum bar	
FD50	60	80	50	250	280	320	20
FD75	90	120	76	250	280	320	30
FD90	110	140	89	250	280	320	35
FD100	125	160	101	250	280	320	40

Flow Divider Symbol
(with 2 sections)

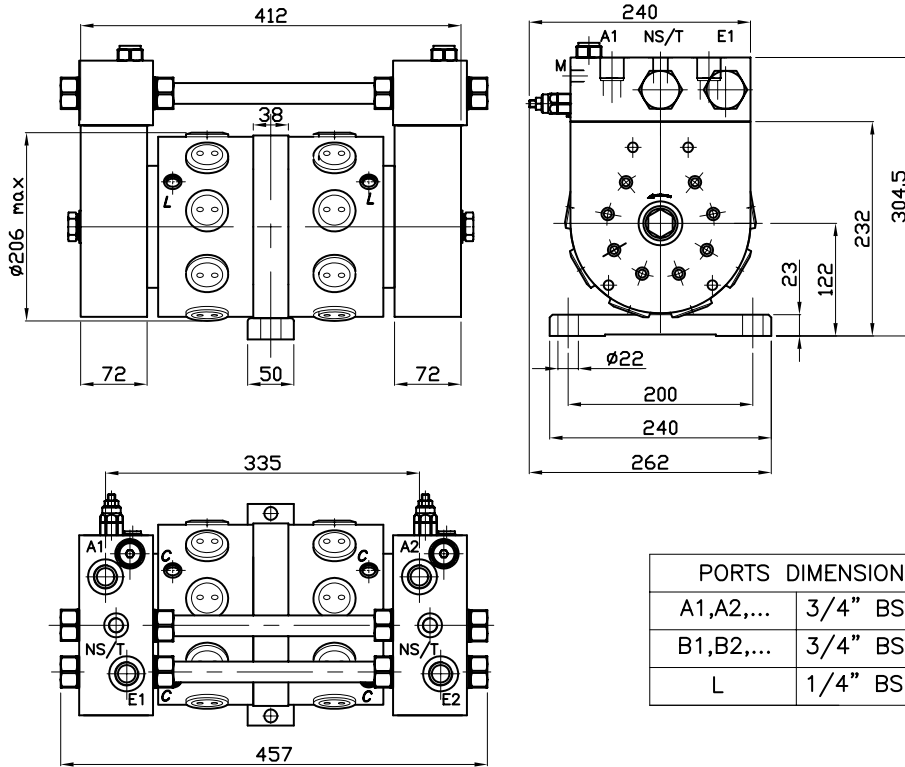


Dry weight 65 kg

Max case pressure 20 bar

SIZE

FD 50-75-90-100 D21 VB

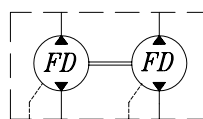


TECHNICAL DATA

FD 50-75-90-100 D21 VB

MODEL	Flow per section		Displacement per section cc/Rev	Working pressure			Power per section kW
	l/min (cont)	l/min (max)		continuous bar	intermittent bar	maximum bar	
FD50	60	80	50	250	280	320	20
FD75	90	120	76	250	280	320	30
FD90	110	140	89	250	280	320	35
FD100	125	160	101	250	280	320	40

Flow Divider Symbol
(with 2 sections)



Dry weight 65 kg

Max case pressure 20 bar

Refer to page 29 for valve technical data, valve dimensions and hydraulic circuit.