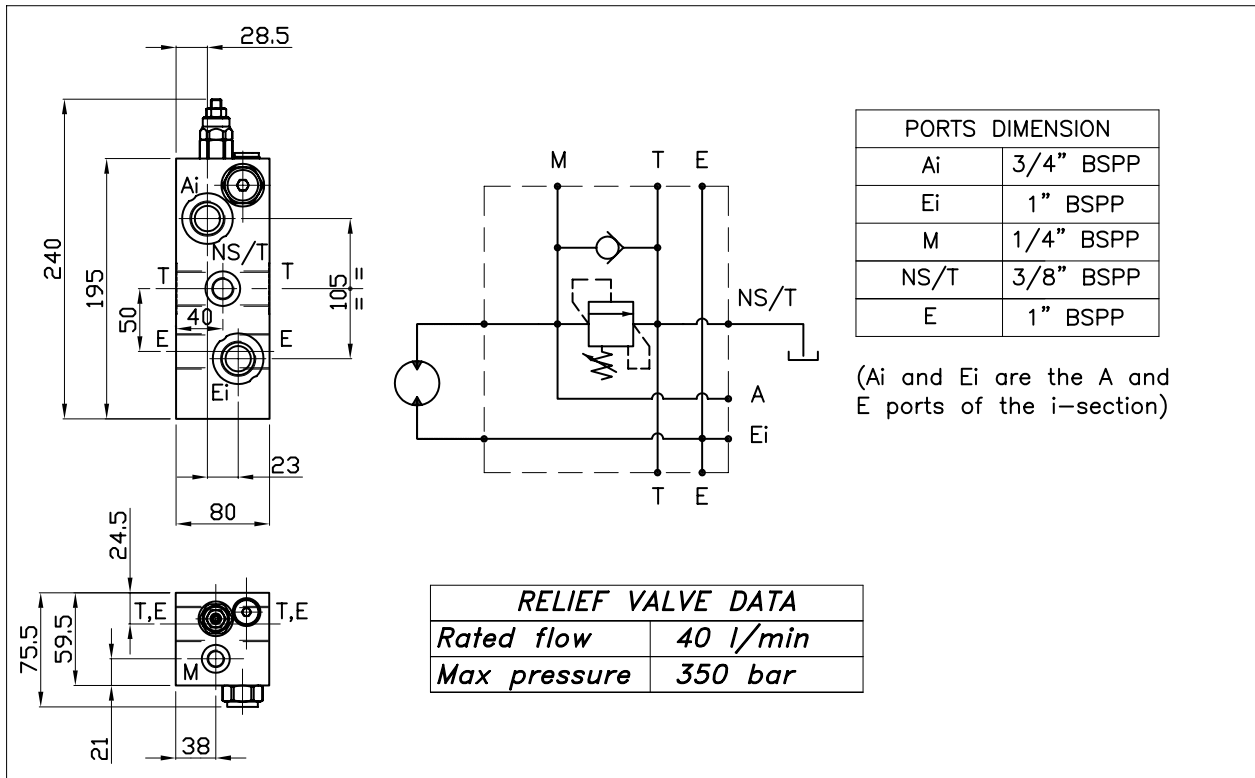
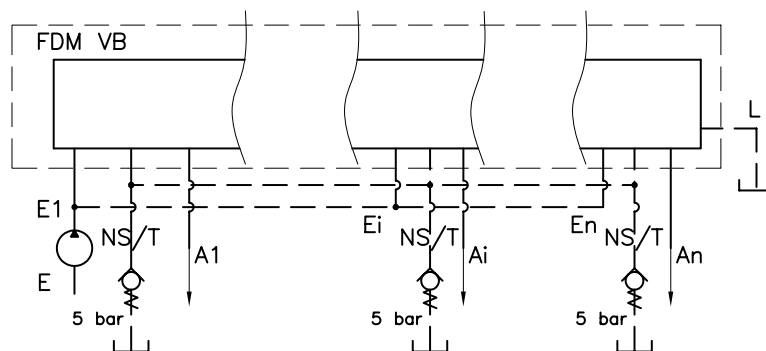


## VALVE DIMENSIONS AND TECHNICAL DATA



## HYDRAULIC CIRCUIT



The NS/T port of the valve has to be connected to the tank. If the inlet flow is very high it is necessary to connect more than one inlet port despite all E ports are internally connected together, in order to avoid an excessive pressure drop.

For further information contact Intermot technical department.