

TECHNICAL DATA

GD

DISPLACEMENT CHANGE DURING THE MOTOR FUNCTIONING

The user can choose between two displacements, acting on the hydraulic circuit. When the X port is at high pressure (system pressure) and the Y port is at low pressure (drain pressure), the motor functions at the maximum displacement, otherwise, when the Y port is at high pressure (system pressure) and the X port is at low pressure (drain pressure), the motor functions at the minimum displacement. When the X and Y ports are at low pressure the motor automatically switch in the maximum displacement. Please refer to "instruction and advice" section for the displacement change hydraulic circuit and to obtain more information.

DISPLACEMENTS SELECTION

Not all max and minimum displacements are possible, the displacements have a range, for the maximum displacement the customer can choose between 100 and 50 cc/Rev; for the minimum displacement the user can choose between 50 and 31 cc/Rev. In the following table are showed the technical data for some of the possible displacements.

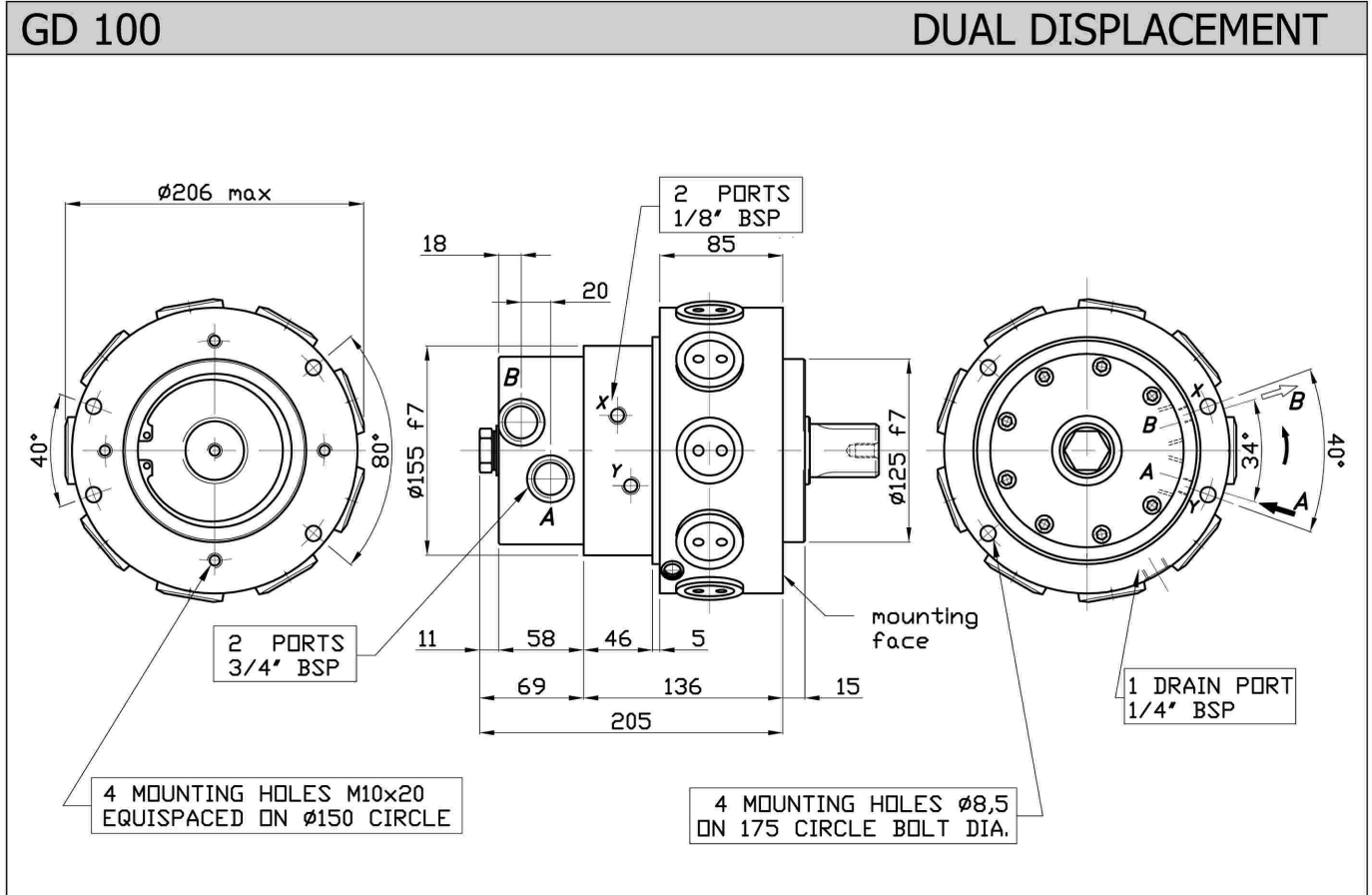
Max displacement [cc/Rev]	100	89	76,3	63,6	50,3
Specific theoretical torque [Nm/bar]	1,61	1,41	1,21	1,01	0,81
Maximum speed [rpm]	1850	1900	2000	2100	2300
Minimum speed [rpm]	10	15	20	25	25
Mechanical efficiency [%]	89,5	89,2	89	88,5	88
Starting mechanical efficiency [%]	87	86	85	82	80
Continuous maximum power [kW]	48	42	35	31	25
Maximum power [kW]	60	52	44	39	31
Continuous maximum pressure [bar]	250	250	250	250	250
Intermittent maximum pressure [bar]	280	280	280	280	280
Peak pressure [bar]	350	350	350	350	350
Dry weight	25	25	25	25	25
Recommended flushing flow [l/min]	5	5	5	5	3

Min displacement [cc/Rev]	50,3	38	31
Specific theoretical torque [Nm/bar]	0,81	0,6	0,49
Maximum speed [rpm]	2300	2350	2400
Minimum speed [rpm]	25	30	30
Mechanical efficiency [%]	88	85	83
Starting mechanical efficiency [%]	80	75	45
Continuous maximum power [kW]	25	18	15
Maximum power [kW]	31	23	19
Continuous maximum pressure [bar]	250	250	250
Intermittent maximum pressure [bar]	280	280	280
Peak pressure [bar]	350	350	350
Dry weight	25	25	25
Recommended flushing flow [l/min]	3	3	3

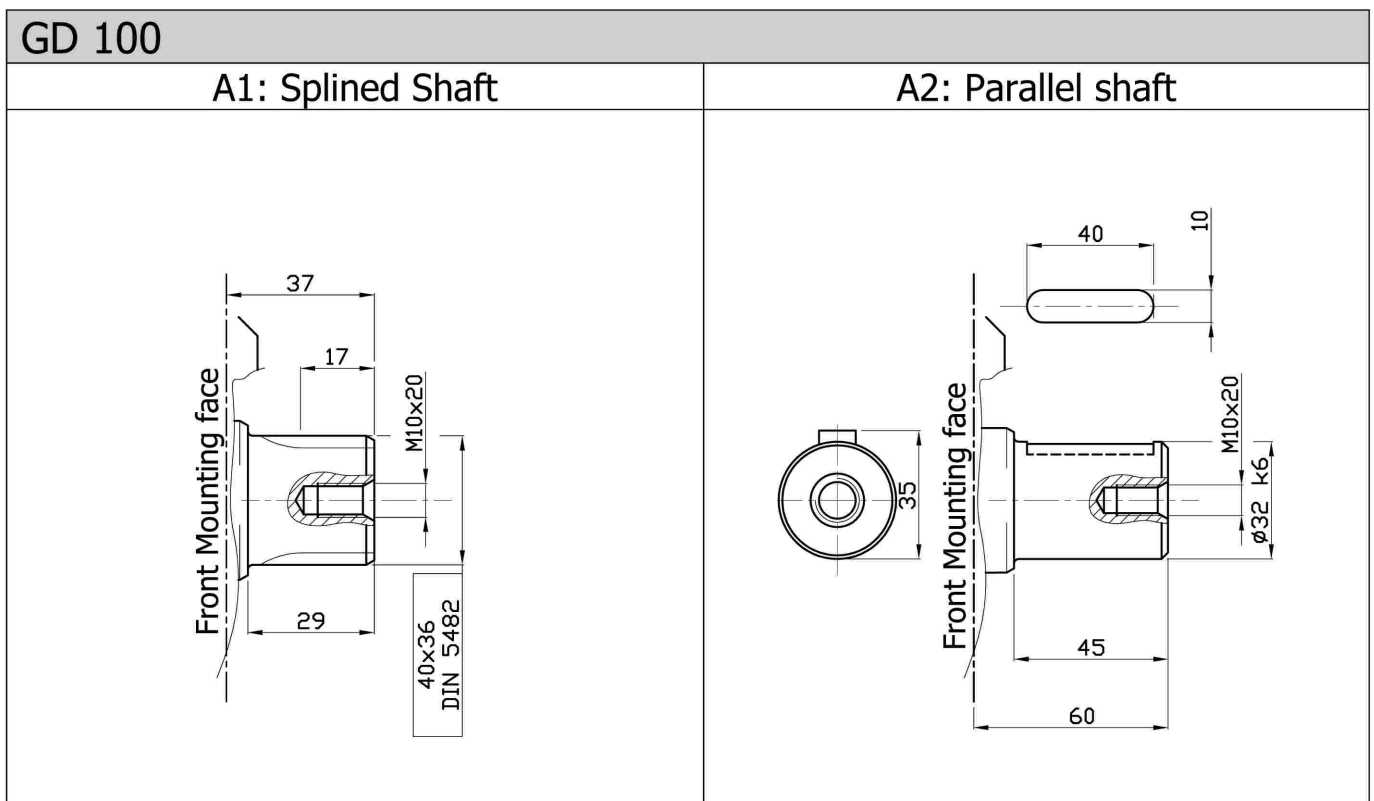
When the motor continuously works at high power values, motor flushing is needed. The recommended flushing flow is shown in the above table. The values are approximated and must be always set in practice in order to guarantee a correct motor internal lubrication (please refer to page 8, flushing flow section). For closed loop circuit applications please contact ItalgrouP technical department.

For further information please contact ItalgrouP technical department.

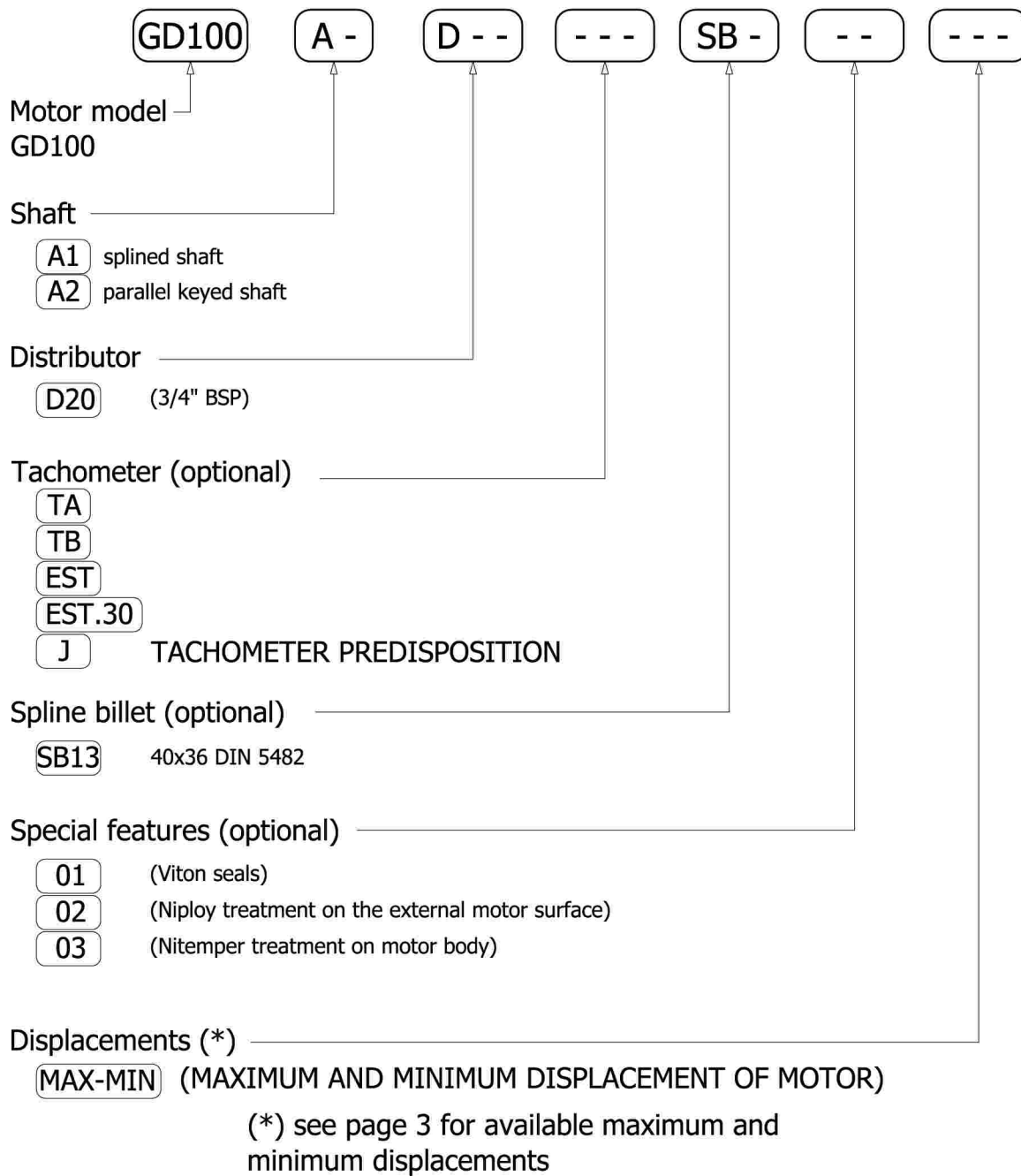
SIZE



SHAFT



ORDERING INSTRUCTIONS



EXAMPLE: GD100.A1.D20.02.100-38
 GD100.A2.D20.TA.75-31
 GD100.A1.D20.J.60-38