

---

# ***ITALGROUP DUAL DISPLACEMENT MOTORS***

---

## ***IAC SERIES***

---

### ***H1 MODEL***

---

***IAC 195/S***  
***195/BH***

***IAC 250/S***  
***250/BH***

---

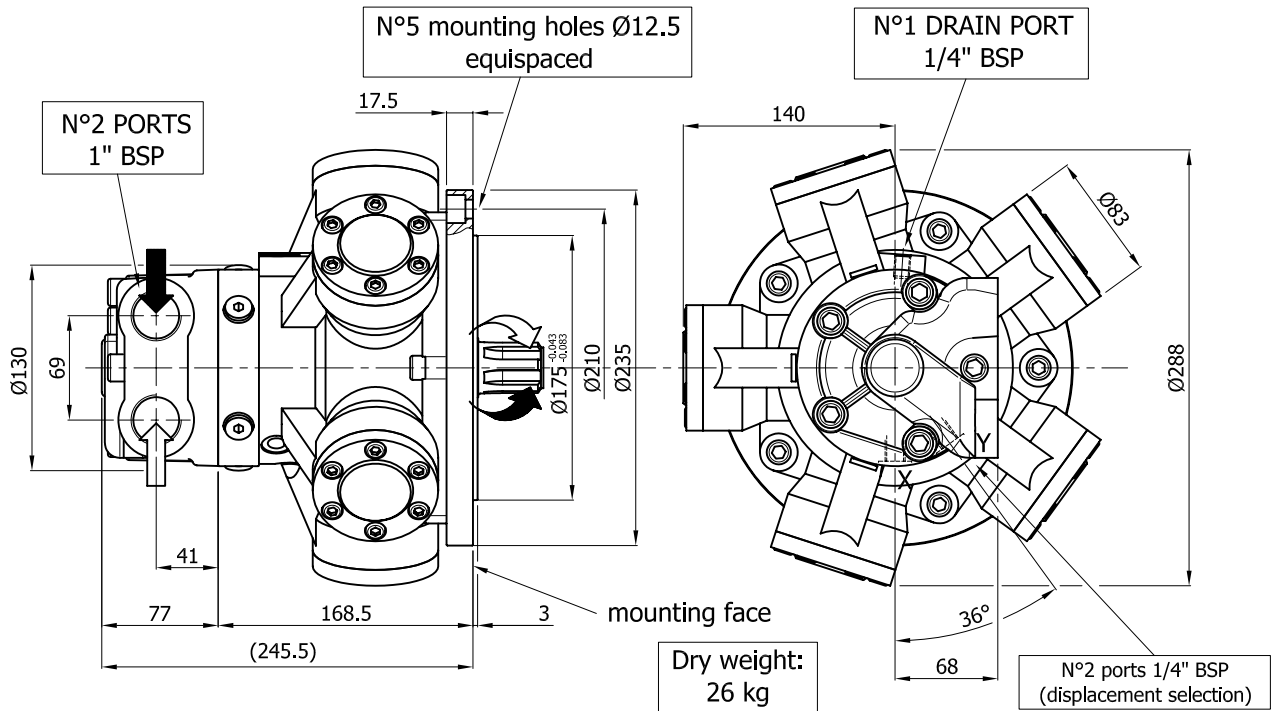
### ***INDEX***

IAC 195/S-250/S H1 D40 - - - - -	<i>Pag.</i>	16
IAC 195/BH-250/BH H1 D40 - - - - -	"	17
IAC 195/S-250/S H1 D47 C3 SV - - - - -	"	18
IAC 195/BH-250/BH H1 D47 C3 SV - - - - -	"	19
IAC 195/S-250/S H1 D47 C3-24 SV - - - - -	"	20
IAC 195/BH-250/BH H1 D47 C3-24 SV - - - - -	"	21
ORDERING INSTRUCTIONS - - - - -	"	22

INTERCHANGEABLE WITH GM1

## SIZE

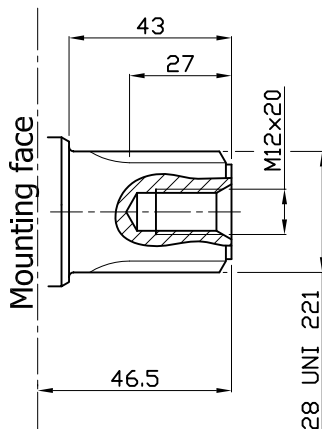
### IAC 195/S-250/S H1 D40



## SHAFT

### IAC 195/S-250/S H1 D40

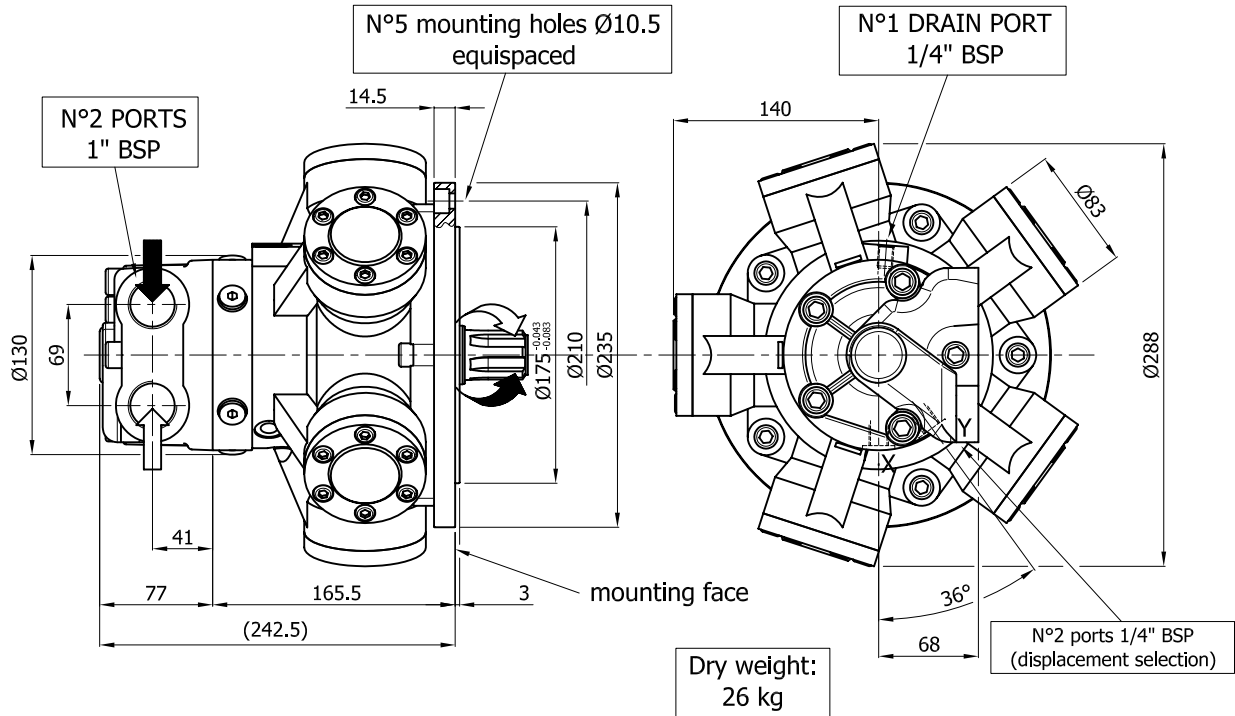
A0: Standard splined shaft



INTERCHANGEABLE WITH BH

## SIZE

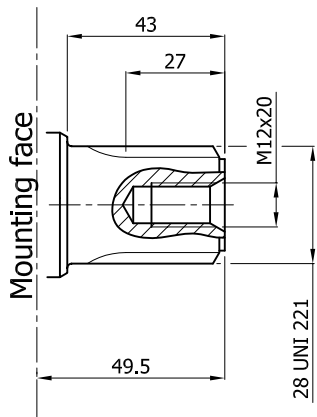
### IAC 195/BH-250/BH D40 H1



## SHAFT

### IAC 195/BH-250/BH D40 H1

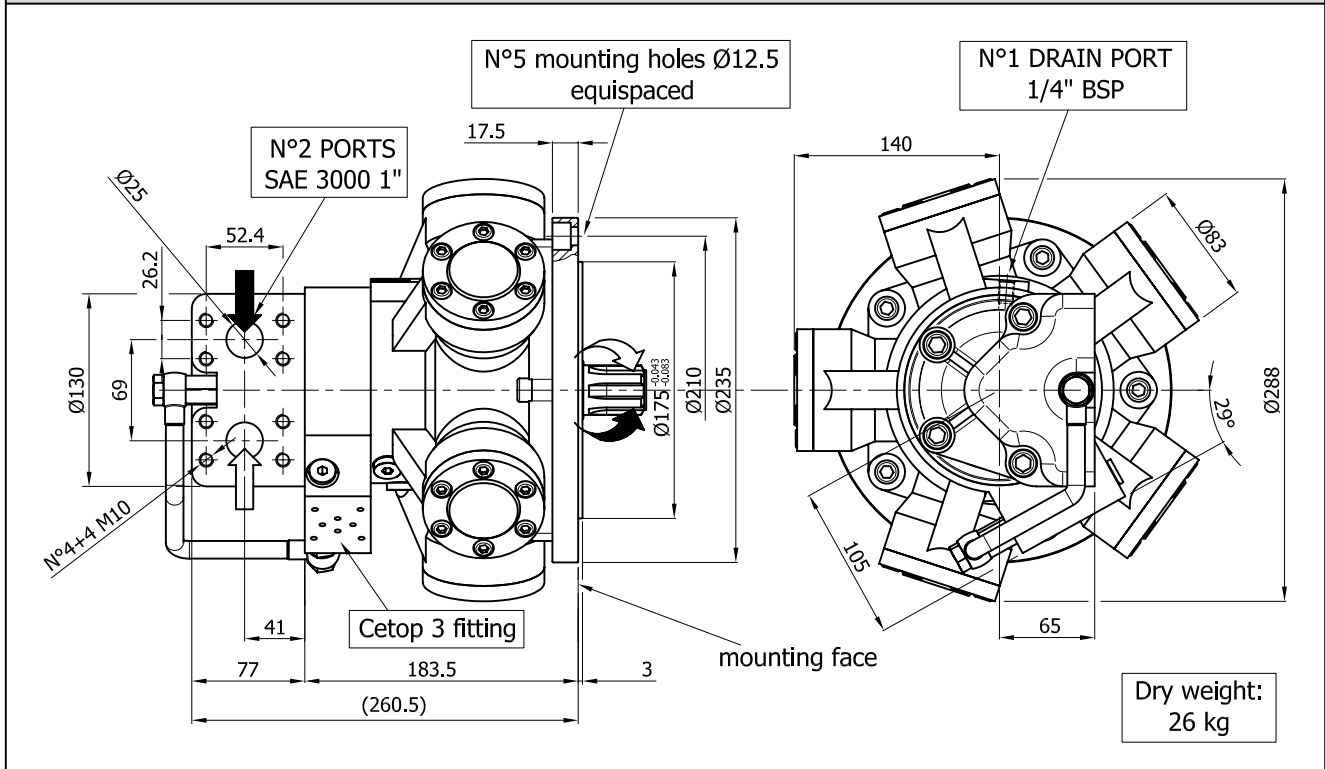
A0: Standard splined shaft



INTERCHANGEABLE WITH GM1

## SIZE

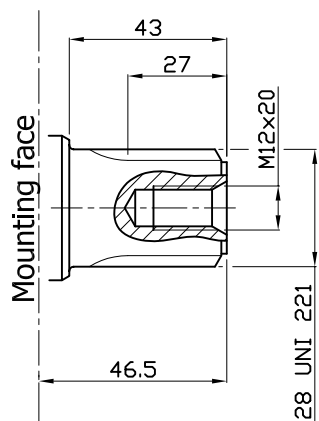
### IAC 195/S-250/S H1 D47 C3 SV



## SHAFT

### IAC 195/S-250/S H1 D47 C3 SV

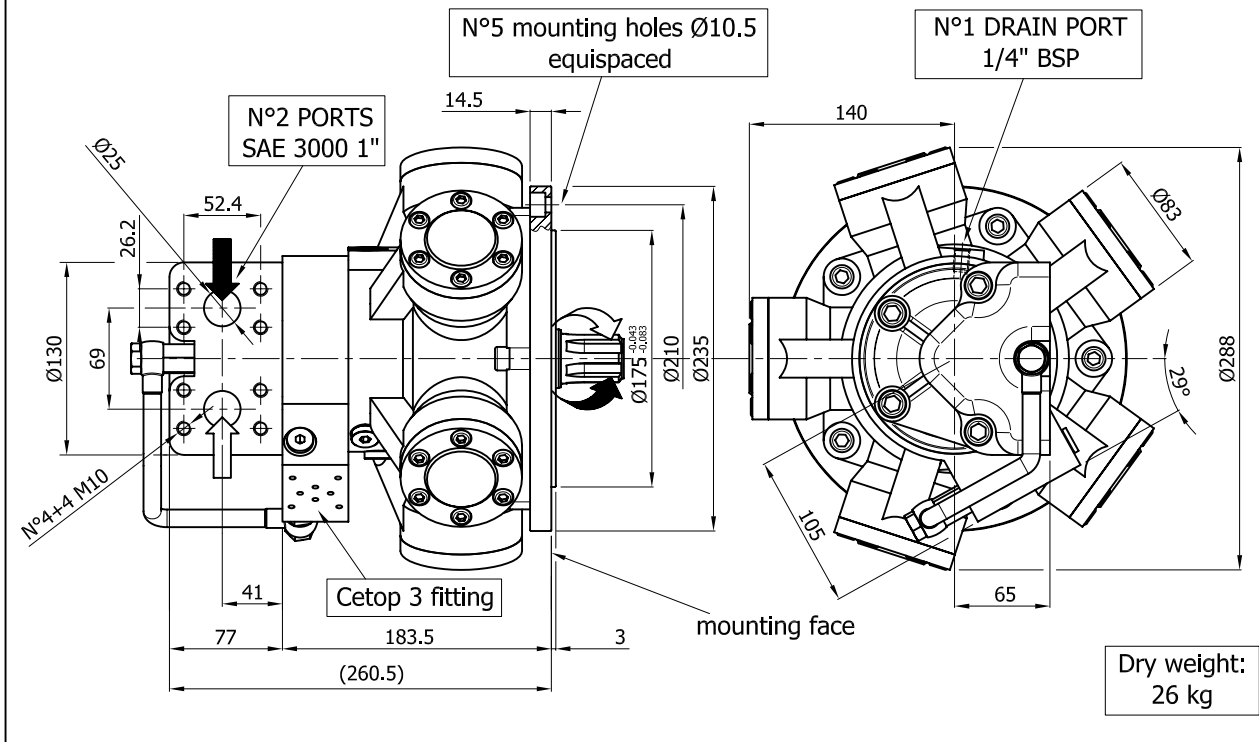
A0: Standard splined shaft



INTERCHANGEABLE WITH BH

## SIZE

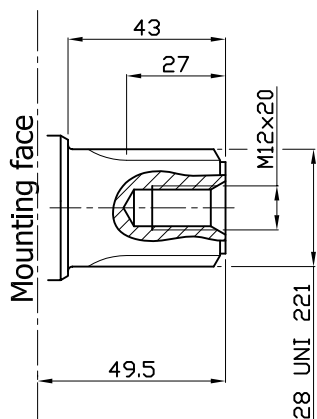
### IAC 195/BH-250/BH H1 D47 C3 SV



## SHAFT

### IAC 195/BH-250/BH H1 D47 C3 SV

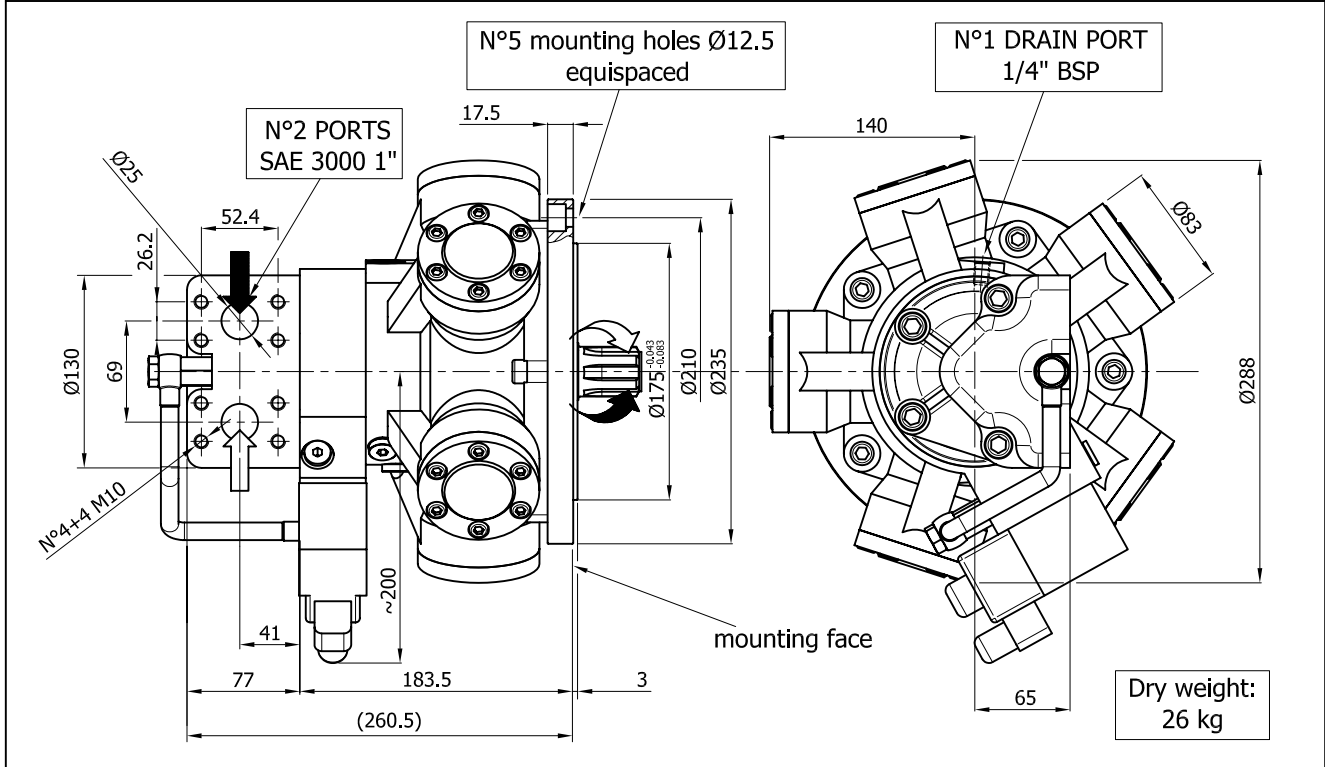
A0: Standard splined shaft



INTERCHANGEABLE WITH GM1

## SIZE

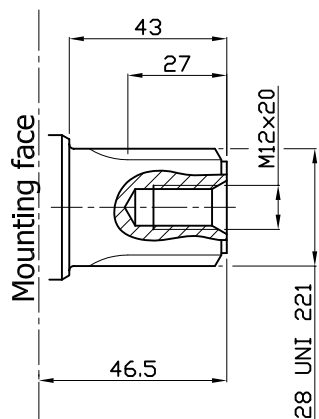
### IAC 195/S-250/S H1 D47 C3-24 SV



## SHAFT

### IAC 195/S-250/S H1 D47 C3-24 SV

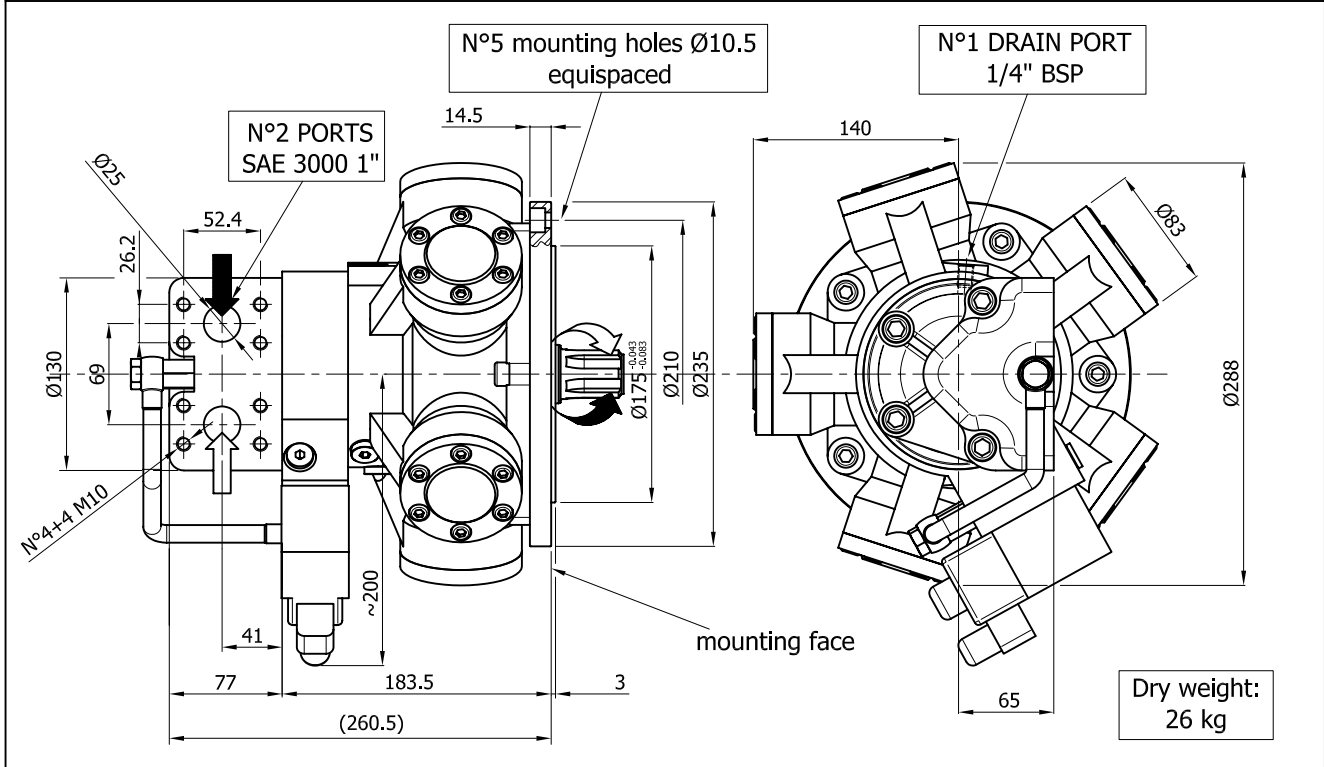
A0: Standard splined shaft



INTERCHANGEABLE WITH BH

## SIZE

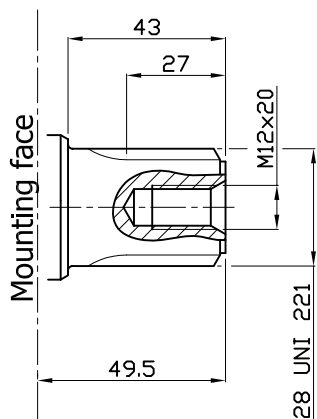
### IAC 195/BH-250/BH H1 D47 C3-24 SV



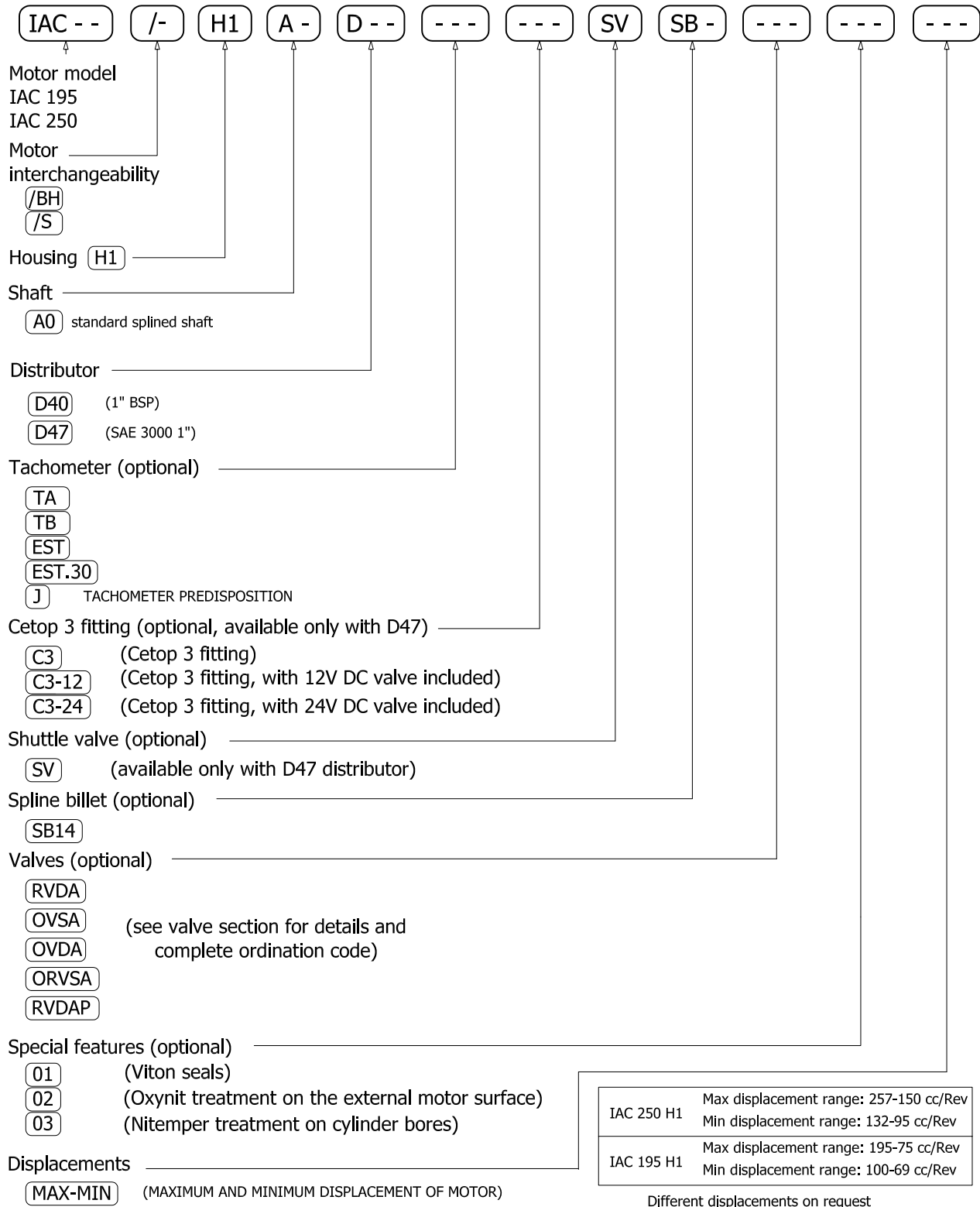
## SHAFT

### IAC 195/BH-250/BH H1 D47 C3-24 SV

A0: Standard splined shaft



## ORDERING INSTRUCTIONS IAC H1



**EXAMPLE:** IAC.195/S.H1.A0.D47.C3-24.01.257-95  
 IAC.250/S.H1.A0.D40.TA.175-69  
 IAC.250/BH.H1.A0.D47.C3.03.150-75