
ITALGROUP DUAL DISPLACEMENT MOTORS

IAC SERIES

H7 MODEL

IAC 4600 H7

IAC 5400 H7

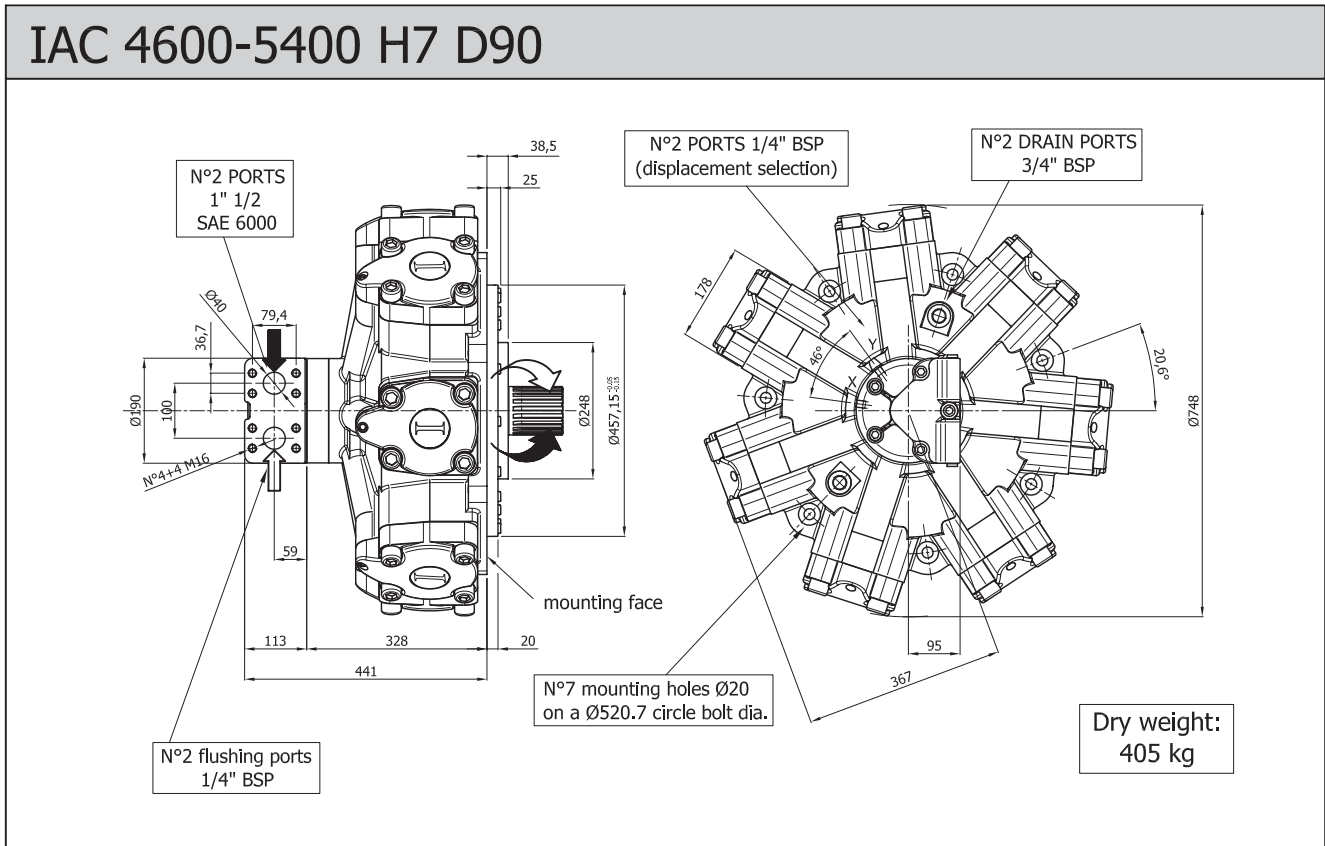
INDEX

IAC 4600-5400 H7 D90 - - - - -	<i>Pag.</i>	60
IAC 4600-5400 H7 D90 C3 SV - - - - -	"	61
IAC 4600-5400 H7 D90 C3-24 SV - - - - -	"	62
ORDERING INSTRUCTIONS - - - - -	"	63

INTERCHANGEABLE WITH HMC270

SIZE

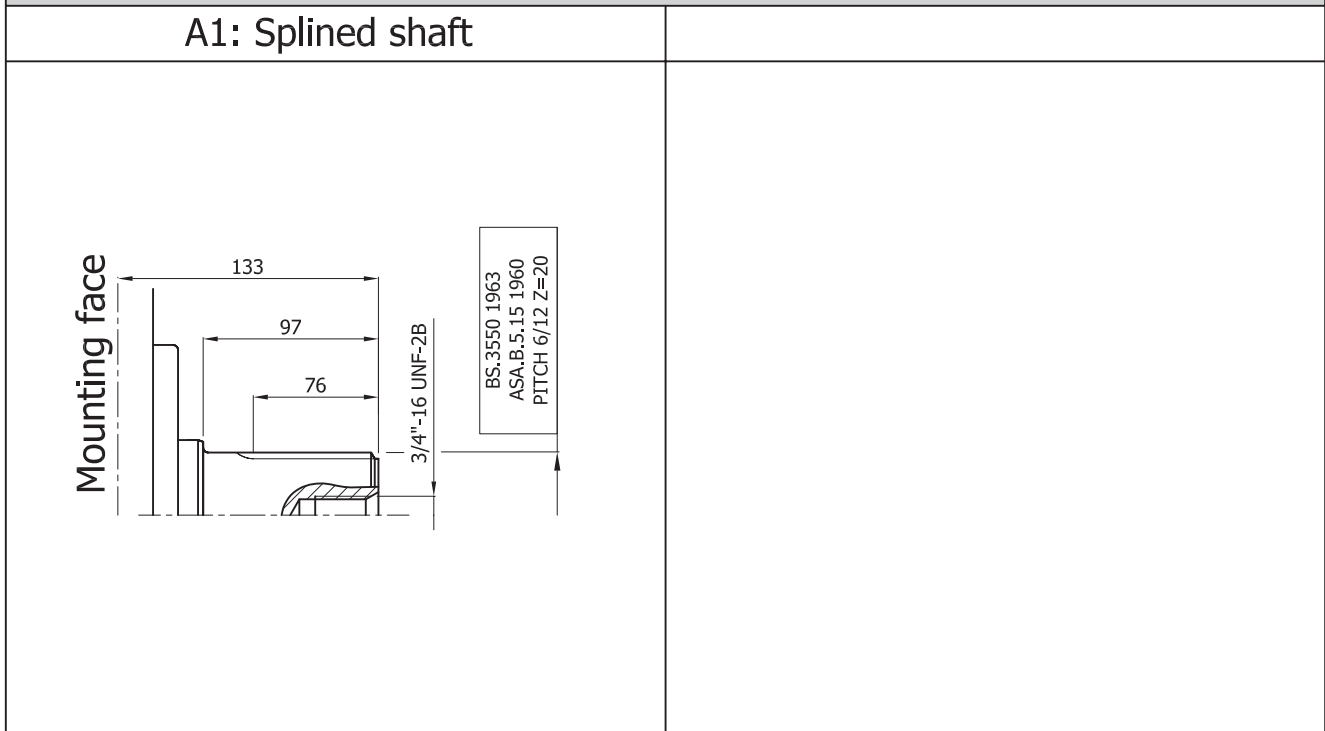
IAC 4600-5400 H7 D90



SHAFT

IAC 4600-5400 H7 D90

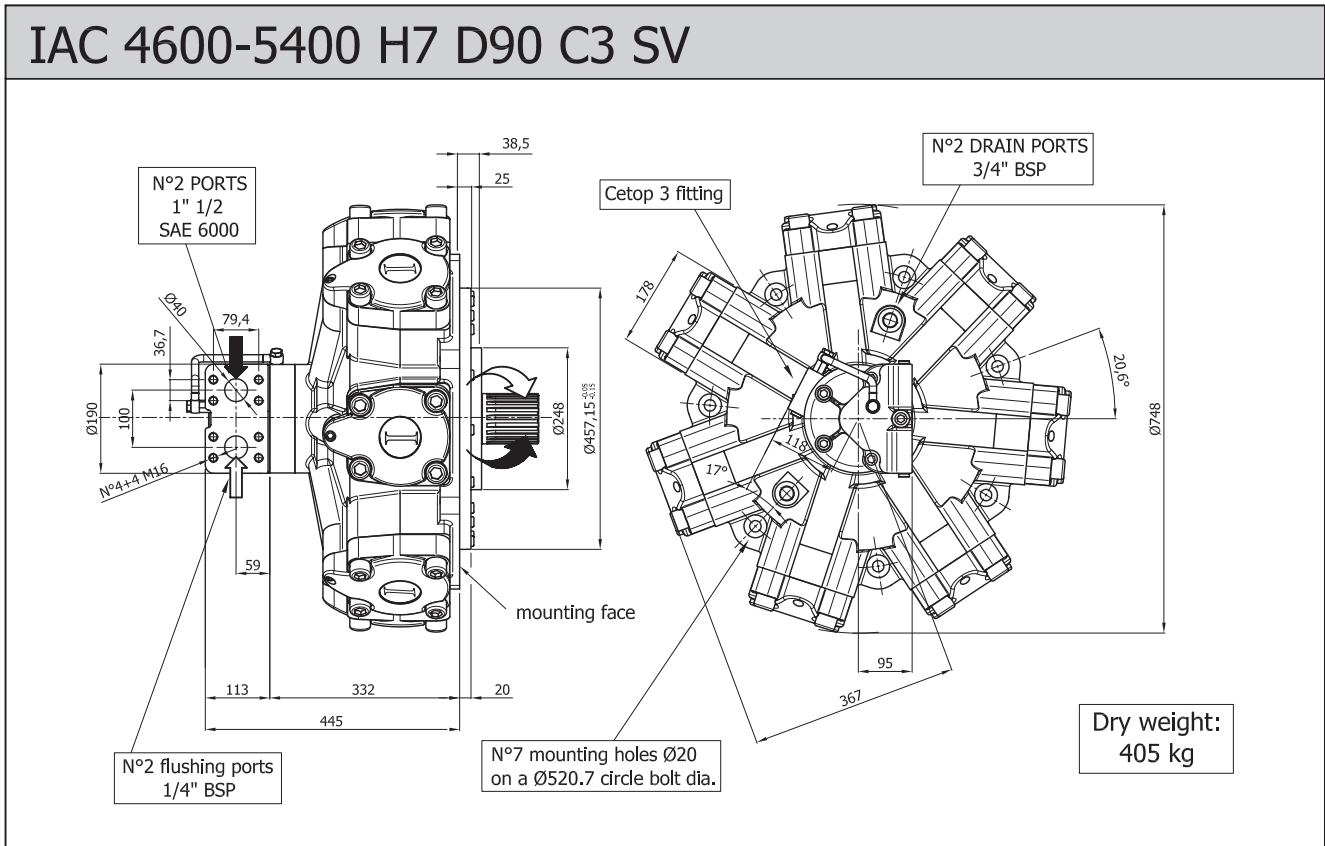
A1: Splined shaft



INTERCHANGEABLE WITH HMC270

SIZE

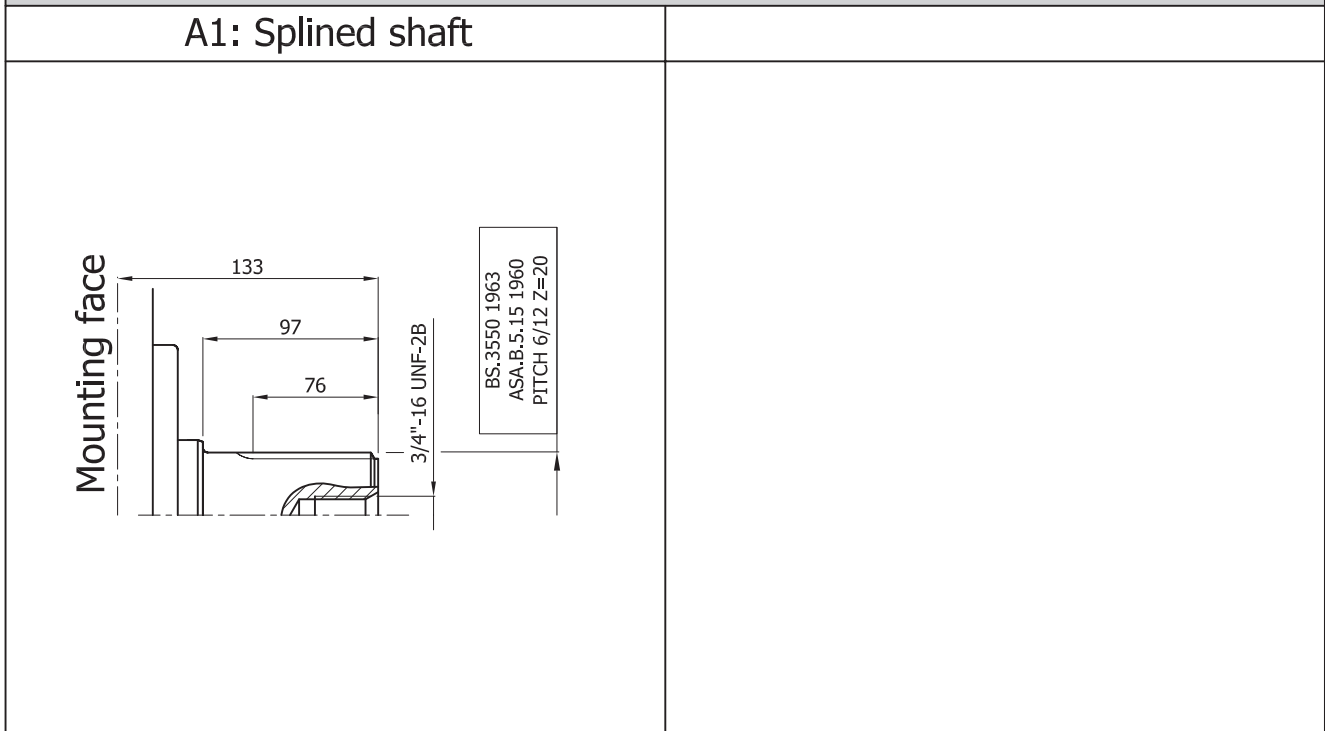
IAC 4600-5400 H7 D90 C3 SV



SHAFT

IAC 4600-5400 H7 D90 C3 SV

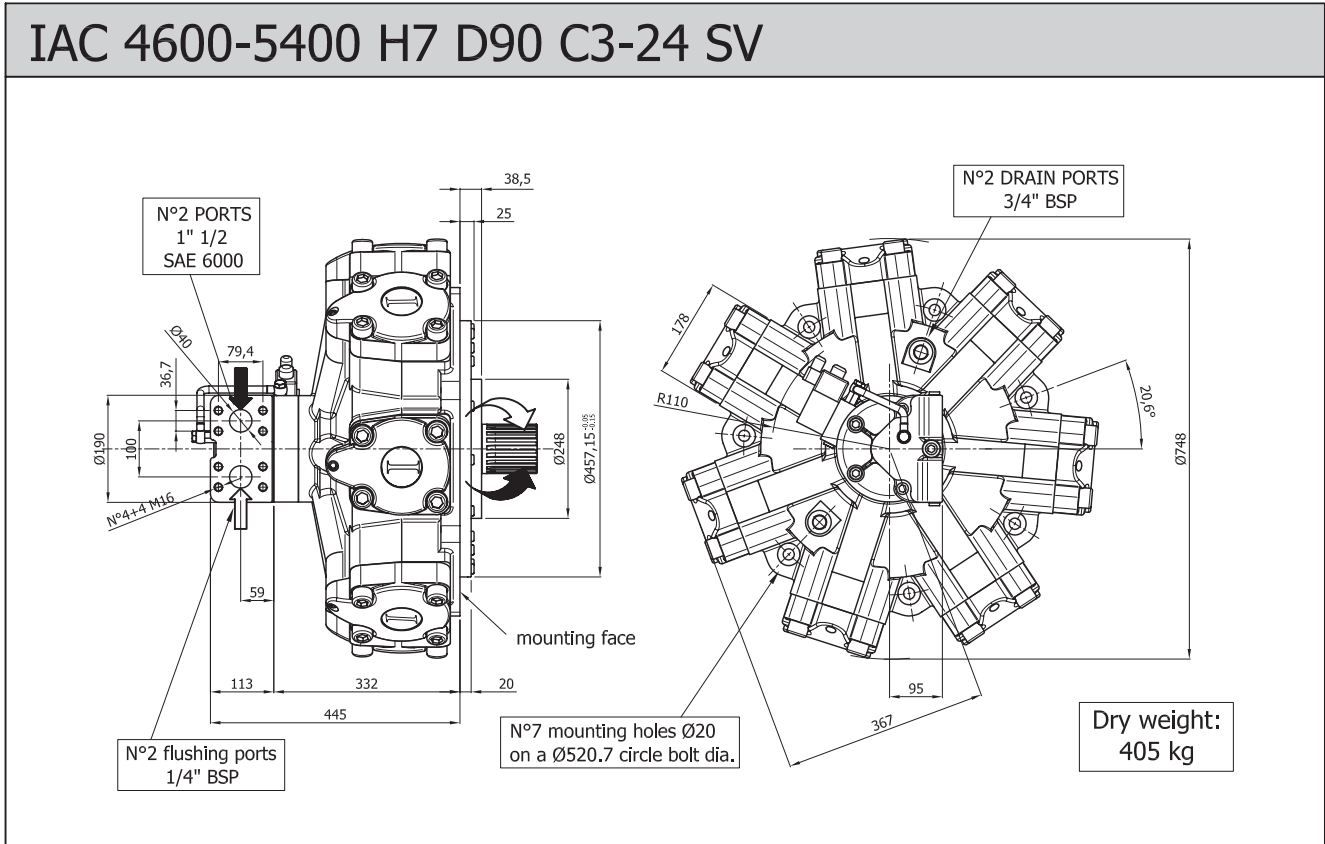
A1: Splined shaft



INTERCHANGEABLE WITH HMC270

SIZE

IAC 4600-5400 H7 D90 C3-24 SV

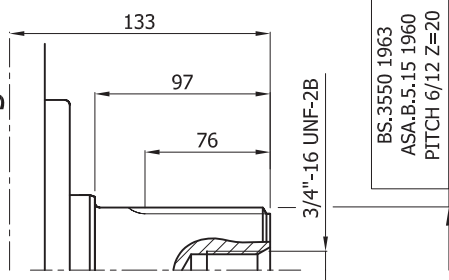


SHAFT

IAC 4600-5400 H7 D90 C3-24 SV

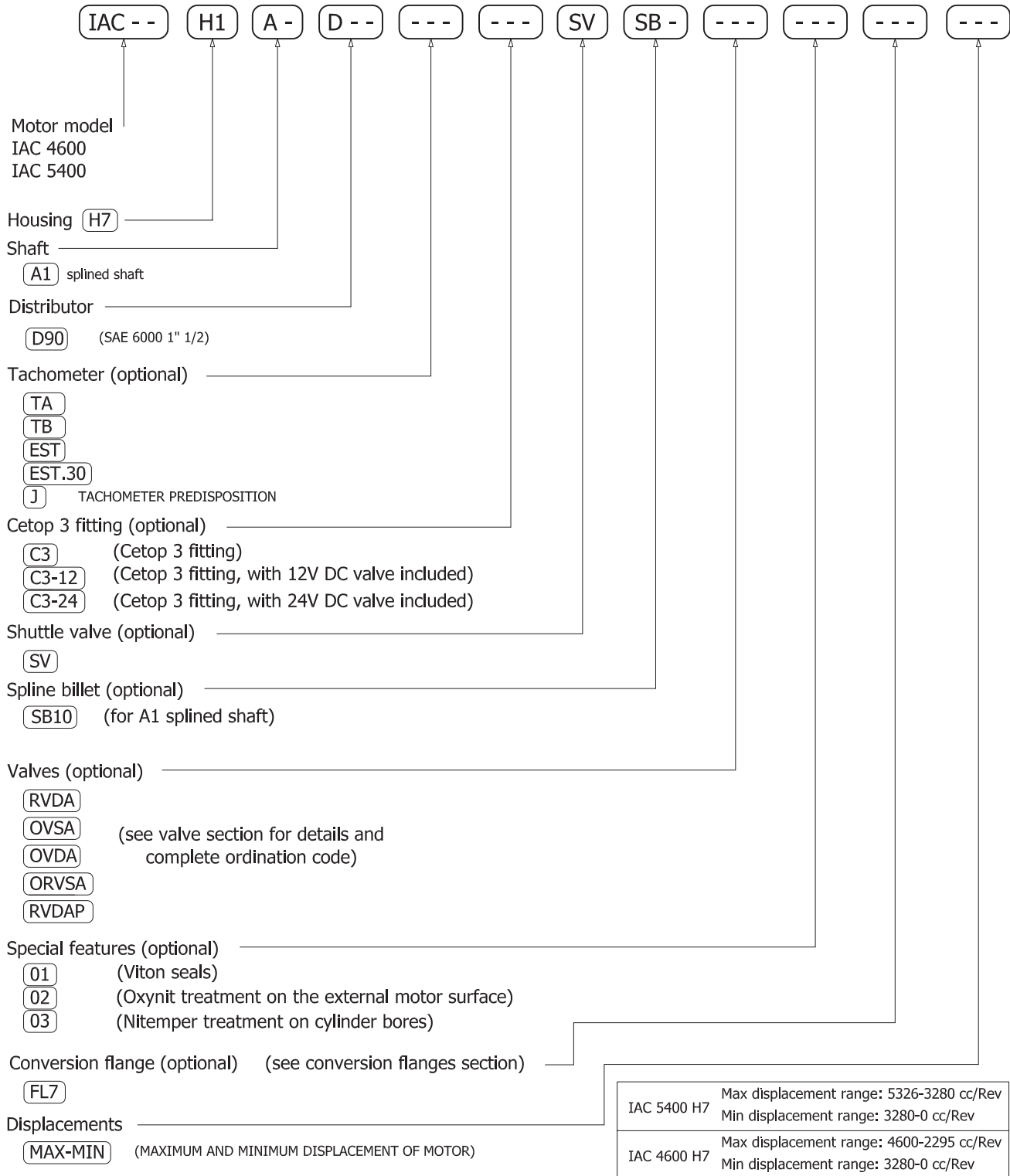
A1: Splined shaft

Mounting face



ORDERING INSTRUCTIONS

IAC H7



EXAMPLE: IAC.3000.H6.A1.D90.C3-24.SV.2950-1640
IAC.3000/C.H6.A0.D90.J.C3.SV.2290-1150