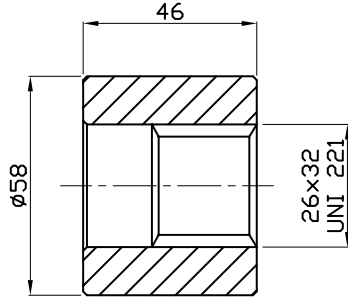
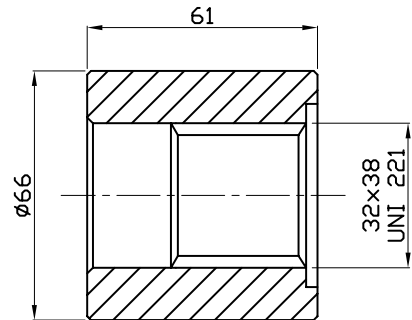


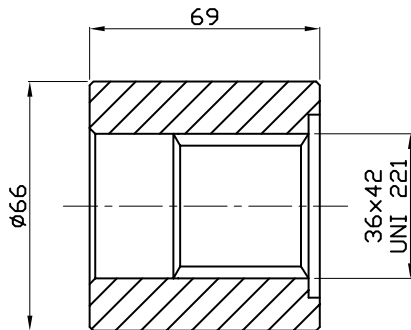
SPLINE BILLET

SB1


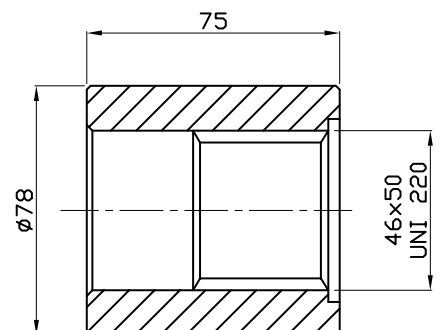
only for:
IAM 80, 100, 150,175,195 H1 A0
IAM 80, 100, 150,175,195 H1 A1

SB2


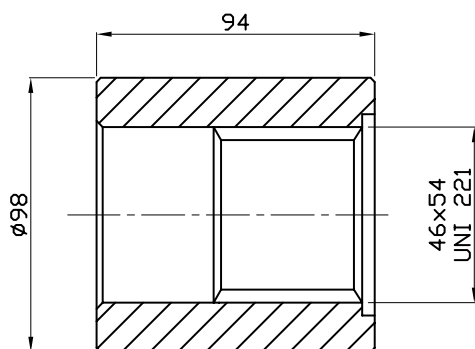
only for:
IAM 200,250,300 H1 A0
IAM 200,250,300,350 H2 A0
IAM 190/C H2 A0

SB3


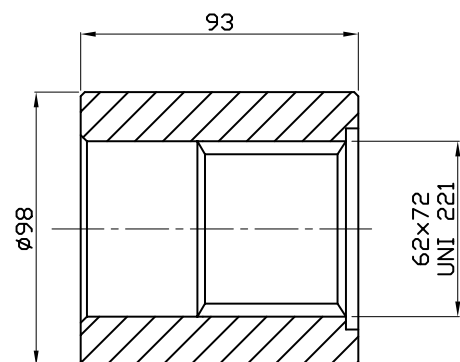
only for:
IAM 400,500,600 H2 A0
IAM 400,450,500,600,650,700 H3 A0

SB4


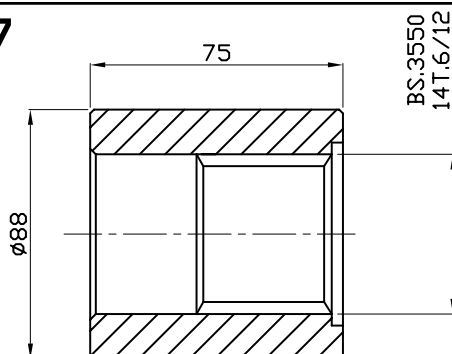
only for:
IAM 800 H3 A0
IAM 800/N H3 A0
IAM H4 A0

SB5


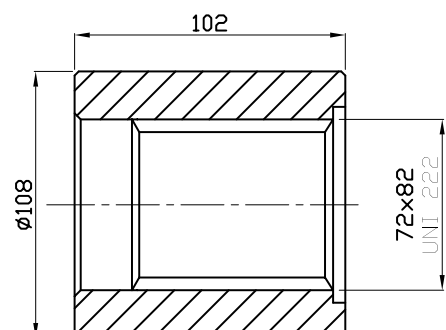
only for:
IAM 450/C H3 A1
IAM H4 A1

SB6


only for:
IAM H5 A0
IAM 1200/C,1400/C,1500/C H5 A0

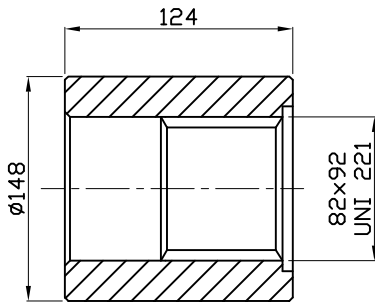
SB7


only for:
IAM H5 A1
IAM 1000/B60,1400/B80,1600/B100 H5 A1

SB8


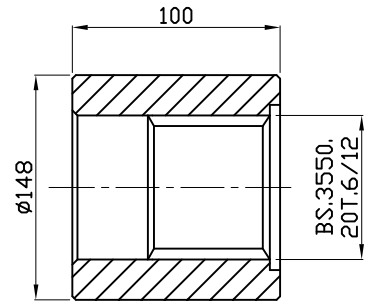
only for:
IAM 1600/C,1800/C,2000/C,2200/C H5 A0

SB9



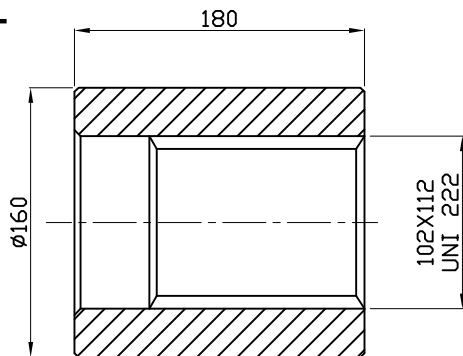
only for:
IAM H6 A0
IAM H6/C A0
IAM 2200/B125,2500/B150,3000/B200 H6 A0

SB10



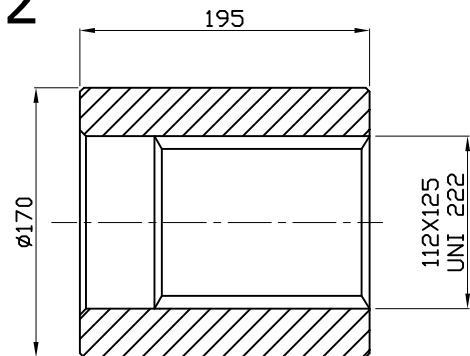
only for:
IAM H6 A1
IAM H6/C A1
IAM 2200/B125,2500/B150,3000/B200 H6 A1
IAM H7 A1
IAM H8 A1

SB11



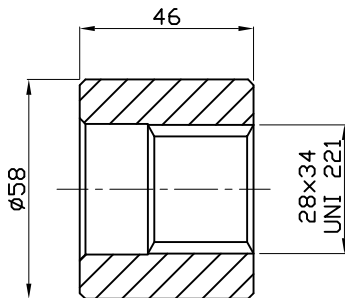
only for:
IAM H7/C A0

SB12



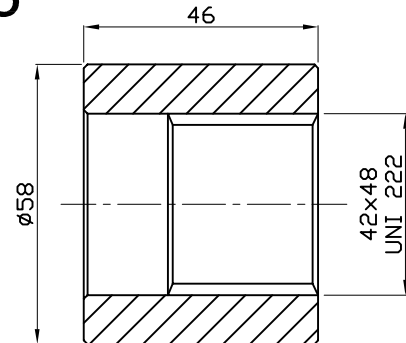
only for:
IAM H8/C A0

SB14



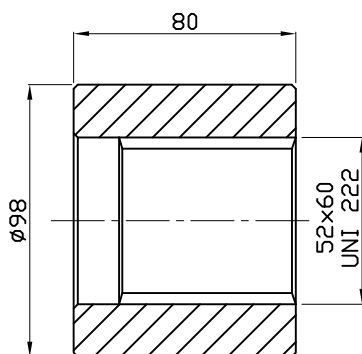
only for:
IAM H1/GM1
IAM H1/BH

SB15



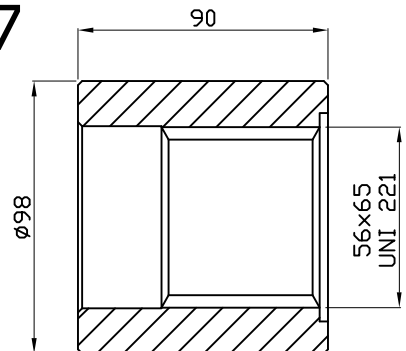
only for:
IAM 300/C H2 A0

SB16



only for:
IAM 700/C,800/C H4 A0

SB17



only for:
IAM H5/GM5 A0
IAM H5/S A0