
ITALGROUP-ADVANCED-MOTORS

IAM SERIES

H1 MODEL

***IAM 80-100-150-175
195-200-250-300 H1***

***IAM 100-150-175-195
200-250/BH H1***

***IAM 100-150-175-195
200-250/GM05 H1***

***IAM 100-150-175-195
200-250/GM1 H1***

IAM 200-250-300/PH H1

INDEX

| | |
|---|----------------|
| TECHNICAL DATA - - - - - | <i>Pag.</i> 16 |
| IAM H1 80-100-150-175-195 - - - - - | " 17 |
| IAM H1 200-250-300 - - - - - | " 18 |
| IAM H1 100-150-175-195-200-250/GM05 - - - - - | " 19 |
| IAM H1 100-150-175-195-200-250/BH - - - - - | " 20 |
| IAM H1 100-150-175-195-200-250/GM1 - - - - - | " 21 |
| IAM H1 200-250-300/PH - - - - - | " 22 |
| ORDERING INSTRUCTIONS - - - - - | " 23 |
| GRAPHIC PERFORMANCES H1 80-100-150-175 - - - - - | " 24 |
| GRAPHIC PERFORMANCES H1 195-200-250-300 - - - - - | " 25 |

TECHNICAL DATA

H1

| MODEL | | IAM 80 H1 | IAM 100 H1 | IAM 150 H1 | IAM 175 H1 | IAM 195 H1 | IAM 200 H1 | IAM 250 H1 | IAM 300 H1 |
|----------------------|--------|-----------|------------|------------|------------|------------|------------|------------|------------|
| Displacement | cc/rev | 80 | 100 | 157 | 176 | 195 | 207 | 257 | 307 |
| Specific Torque | Nm/bar | 1.3 | 1.6 | 2.5 | 2.8 | 3.1 | 3.3 | 4.1 | 4.9 |
| Max cont. Pressure | bar | 250 | 250 | 250 | 250 | 250 | 250 | 250 | 250 |
| Max int. Pressure | bar | 300 | 300 | 300 | 300 | 300 | 300 | 300 | 300 |
| Peak pressure | bar | 350 | 350 | 350 | 350 | 350 | 350 | 350 | 350 |
| Max continuous speed | rpm | 950 | 950 | 950 | 800 | 800 | 750 | 750 | 750 |
| Peak speed | rpm | 1050 | 1050 | 1050 | 900 | 900 | 850 | 850 | 850 |
| Max continuous power | HP | 27 | 37 | 37 | 37 | 37 | 37 | 37 | 37 |
| | kW | 20 | 27 | 27 | 27 | 27 | 27 | 27 | 27 |
| Max power | HP | 54 | 54 | 54 | 54 | 54 | 54 | 54 | 54 |
| | kW | 40 | 40 | 40 | 40 | 40 | 40 | 40 | 40 |

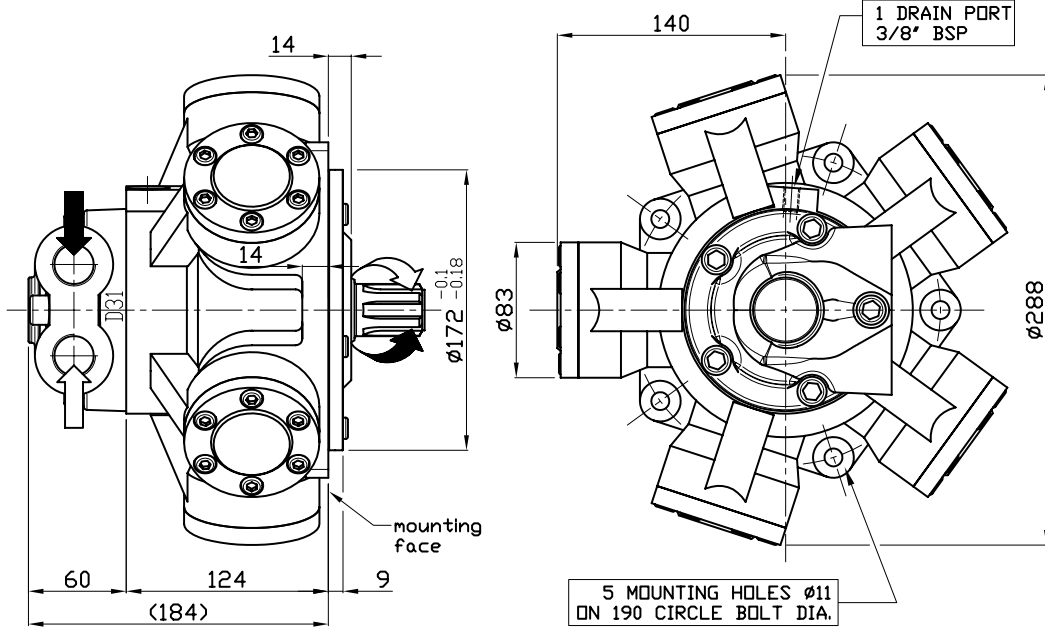
- N° of pistons: 5
- Max case pressure: 6 bar
- Max back pressure: 70 bar
- Dry weight: 26 kg
- Temperature range: -30°C ÷ +70°C
- Minimum speed: 2÷3 rpm
- Flushing flow^(*):

| | |
|------------------------------------|---------|
| IAM H1 80 – 100 – 150 | 5 l/min |
| IAM H1 175 – 195 – 200 – 250 – 300 | 6 l/min |

(*)for further details regarding flushing go to page 10 of this catalogue.

SIZE

IAM 80-100-150-175-195 H1



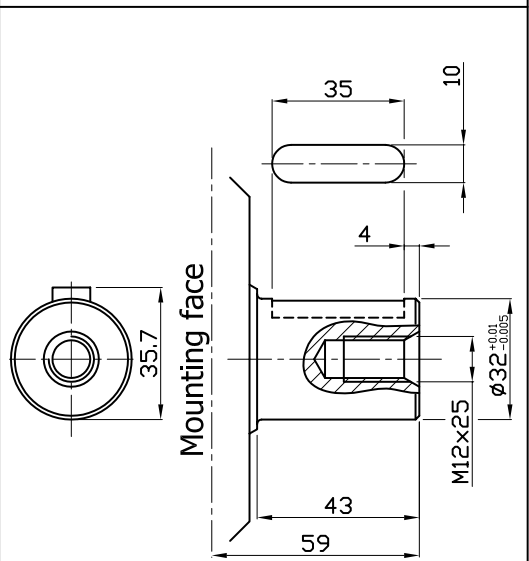
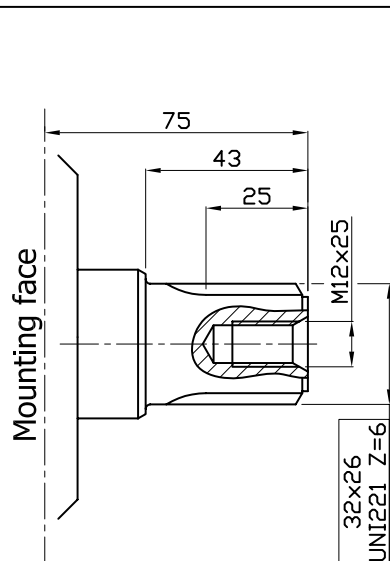
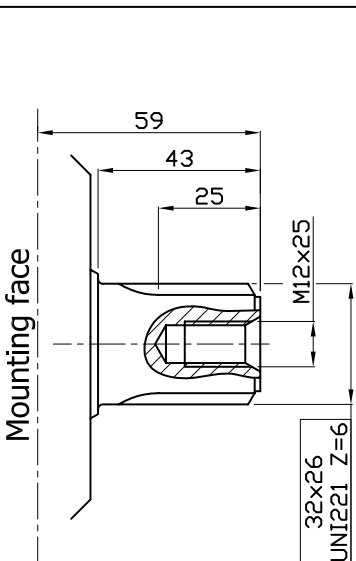
SHAFT

IAM 80-100-150-175-195 H1

A0: Standard splined shaft

A1: Splined shaft on request

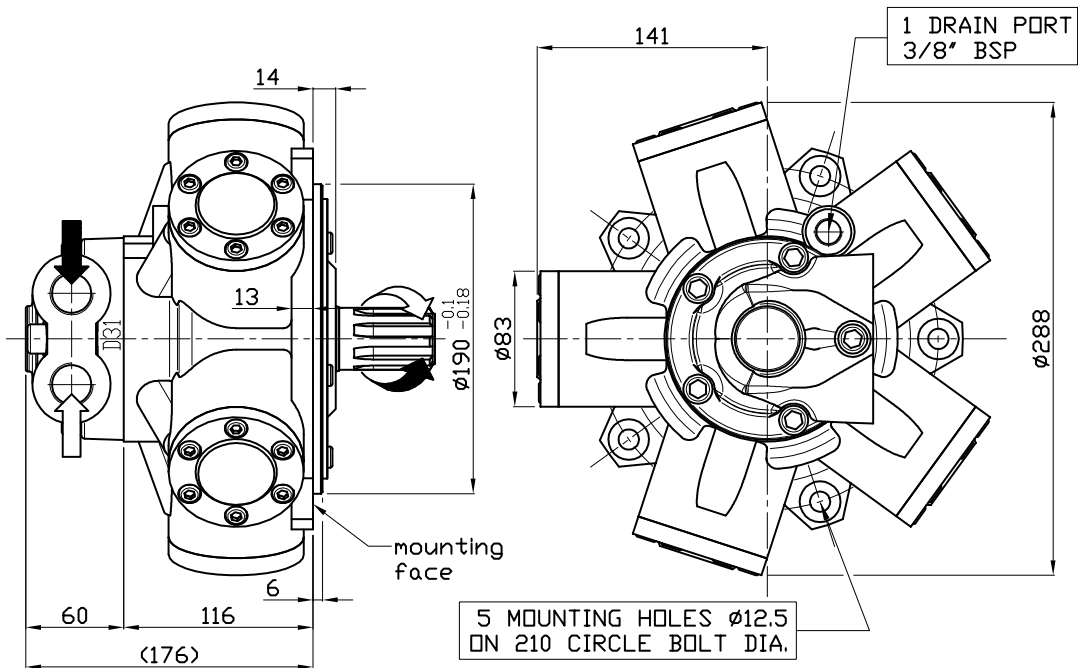
A2: Parallel shaft on request



FEMALE SHAFT AVAILABLE UPON REQUEST N35x2x30x16x9H DIN 5480 (100 and 150 cc/Rev only)

SIZE

IAM 200-250-300 H1

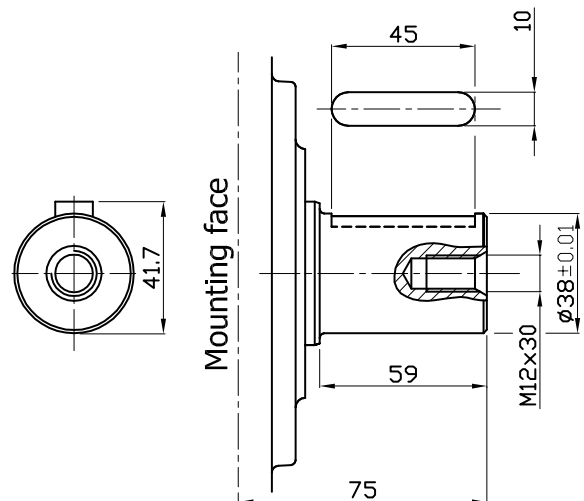
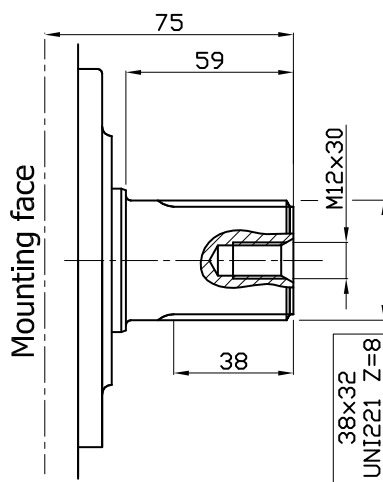


SHAFT

IAM 200-250-300 H1

A0: Standard splined shaft

A2: Parallel shaft on request

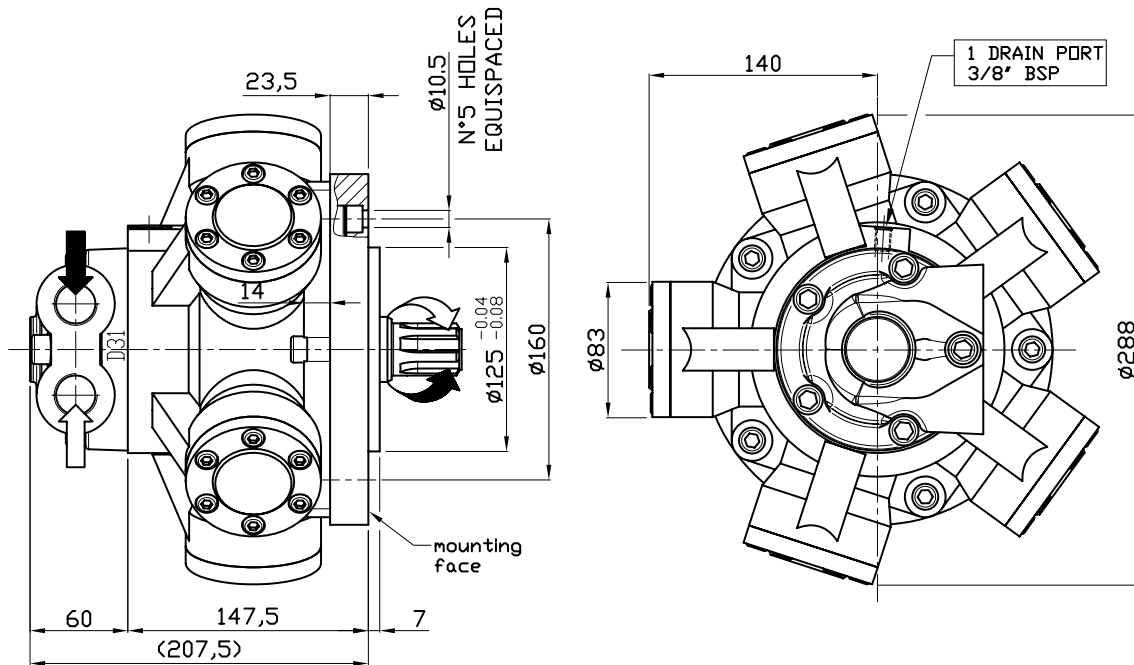


FEMALE SHAFT AVAILABLE UPON REQUEST N35x2x30x16x9H DIN 5480 (300 cc/Rev only)

INTERCHANGEABLE WITH GM05

SIZE

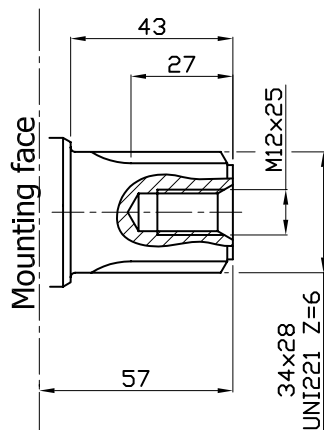
IAM 100/GM05 150/GM05 175/GM05 195/GM05 250/GM05 H1



SHAFT

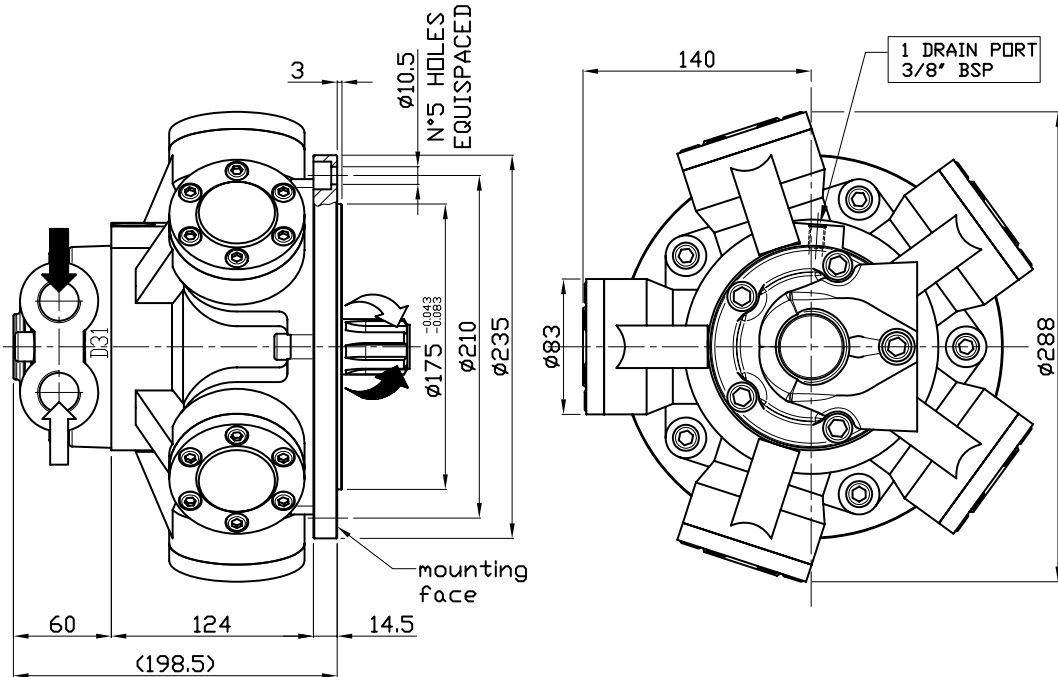
IAM 100/GM05 150/GM05 175/GM05 195/GM05 250/GM05 H1

A0: Standard splined shaft



SIZE

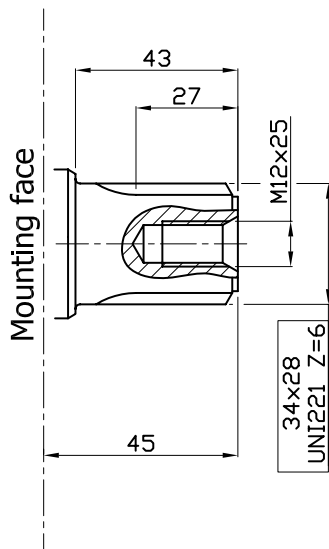
IAM 100/BH-150/BH-175/BH-195/BH-250/BH H1



SHAFT

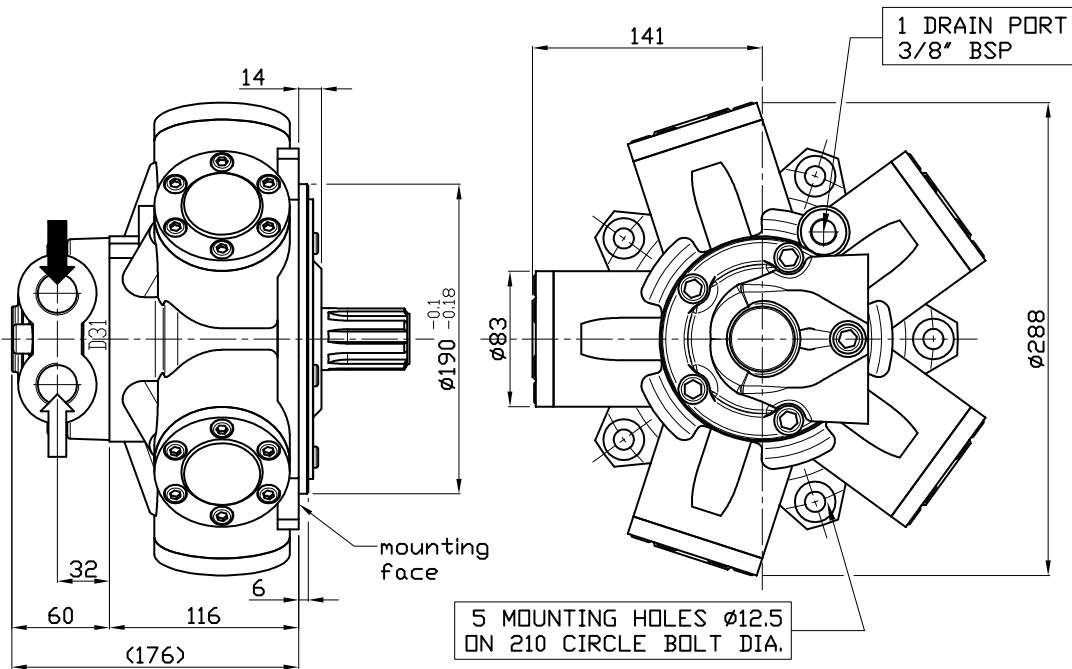
IAM 100/BH-150/BH-175/BH-195/BH-250/BH H1

A0: Standard splined shaft



SIZE

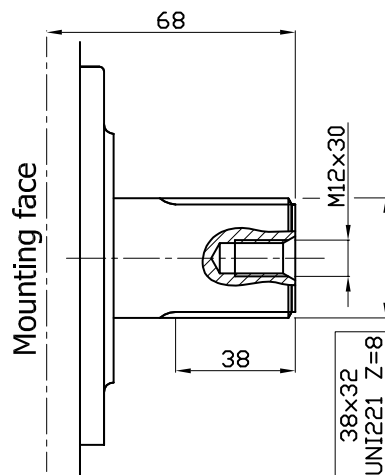
IAM 200/PH-250/PH-300/PH H1



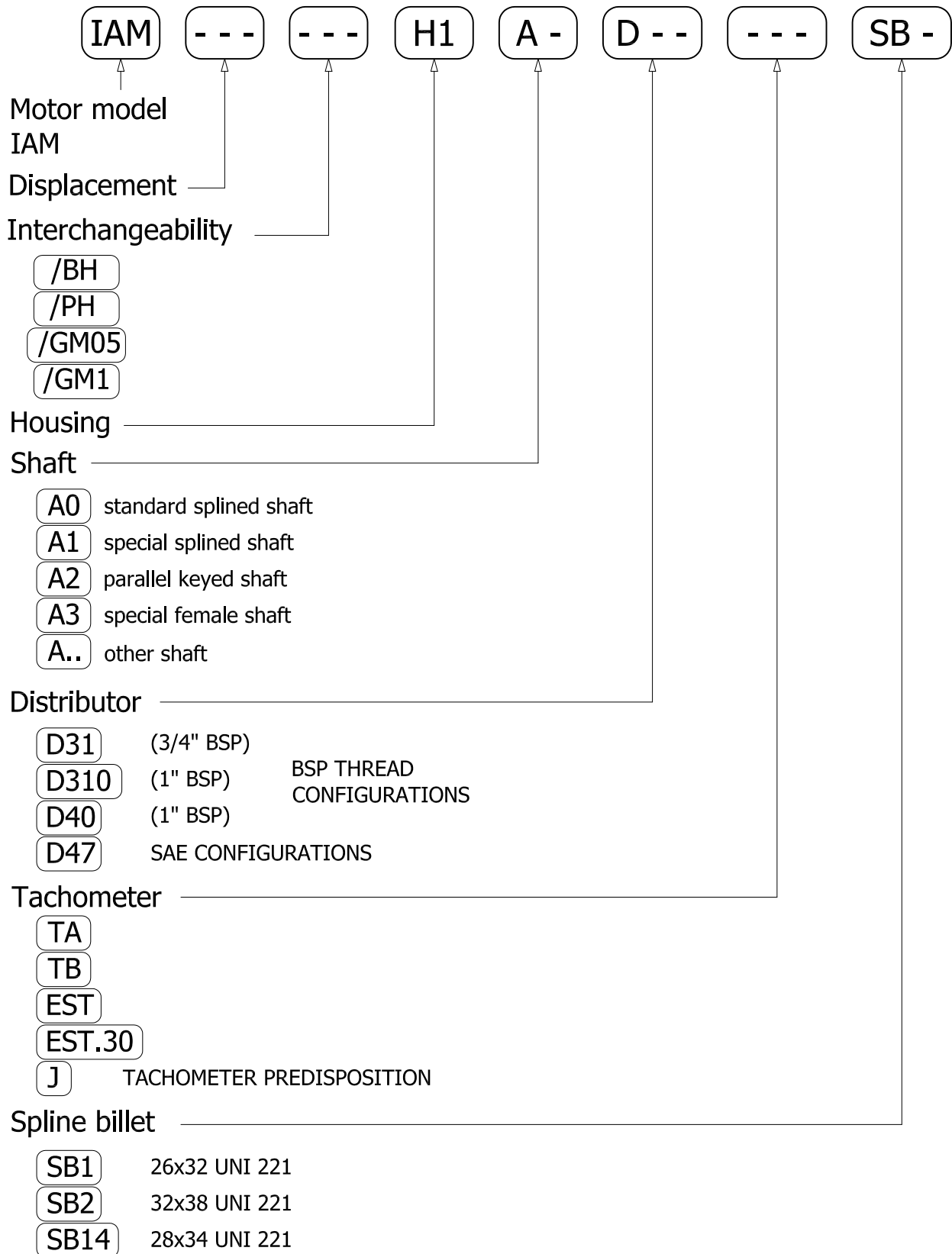
SHAFT

IAM 200/PH-250/PH-300/PH H1

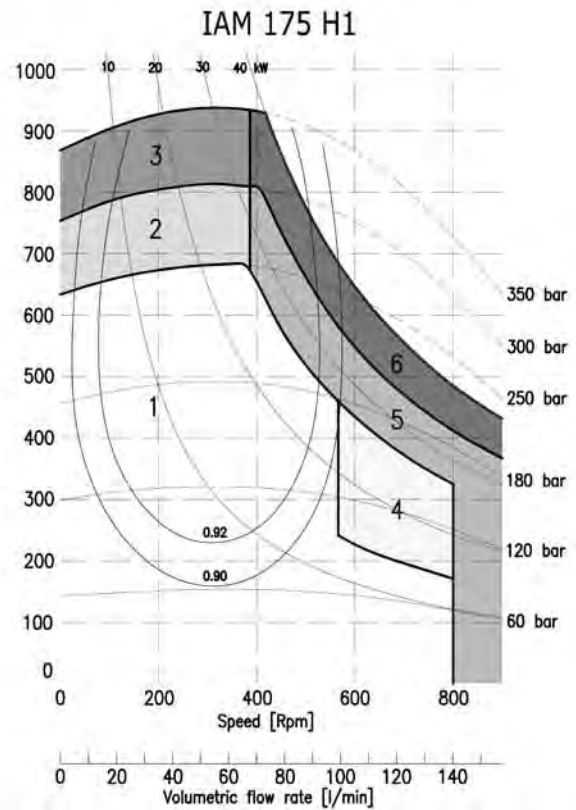
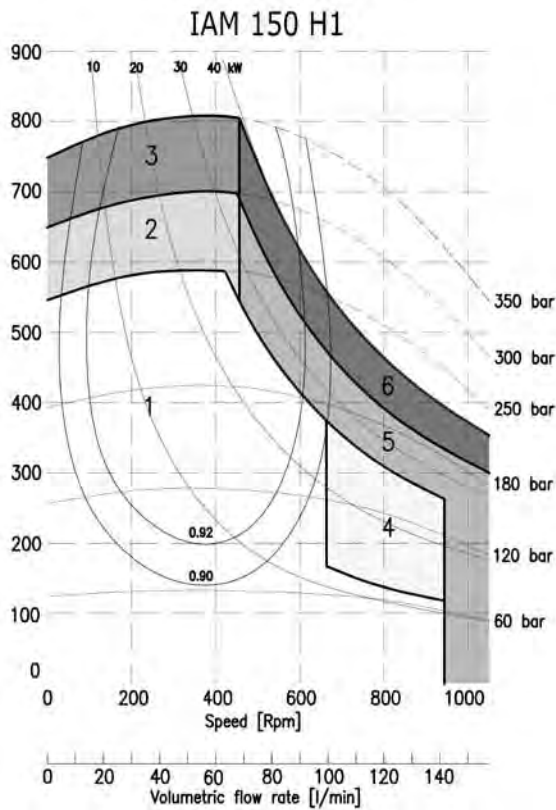
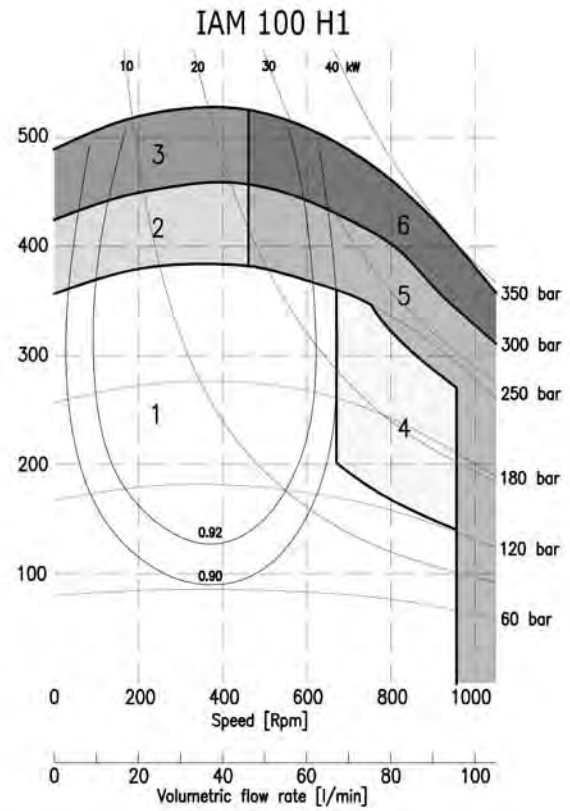
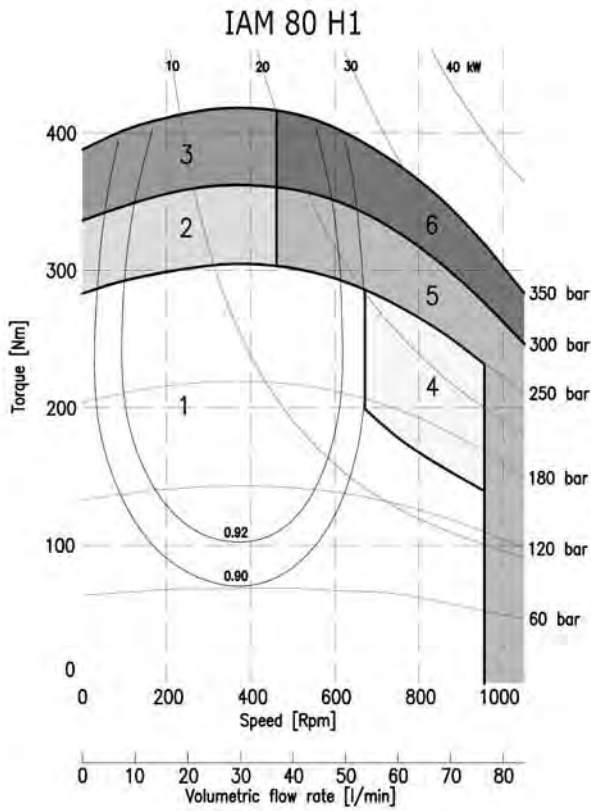
A0: Standard splined shaft



ORDERING INSTRUCTIONS

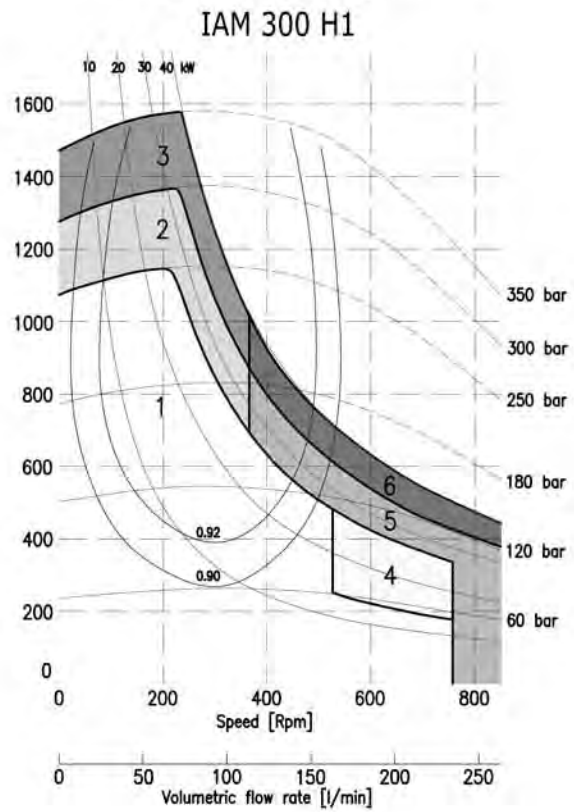
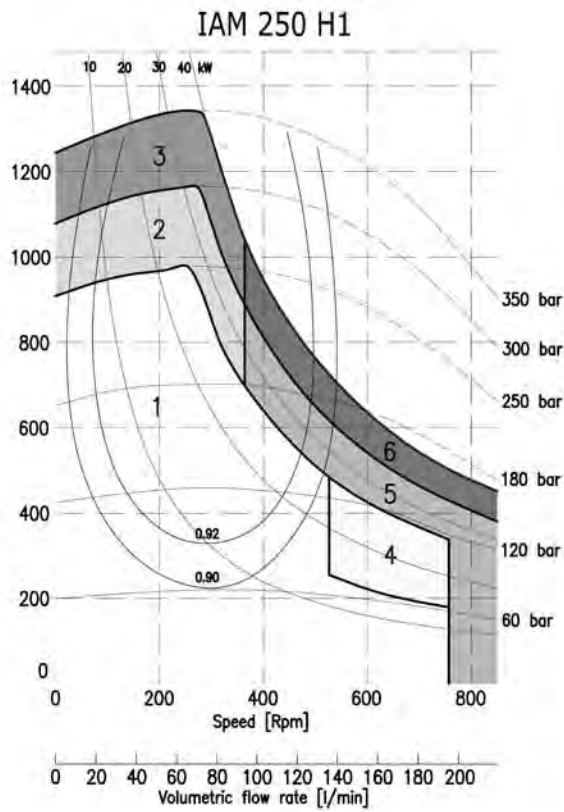
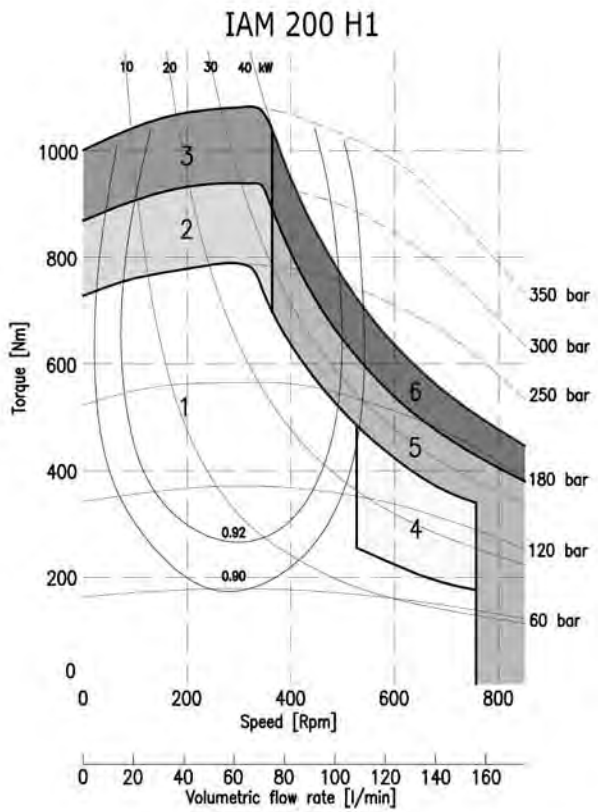
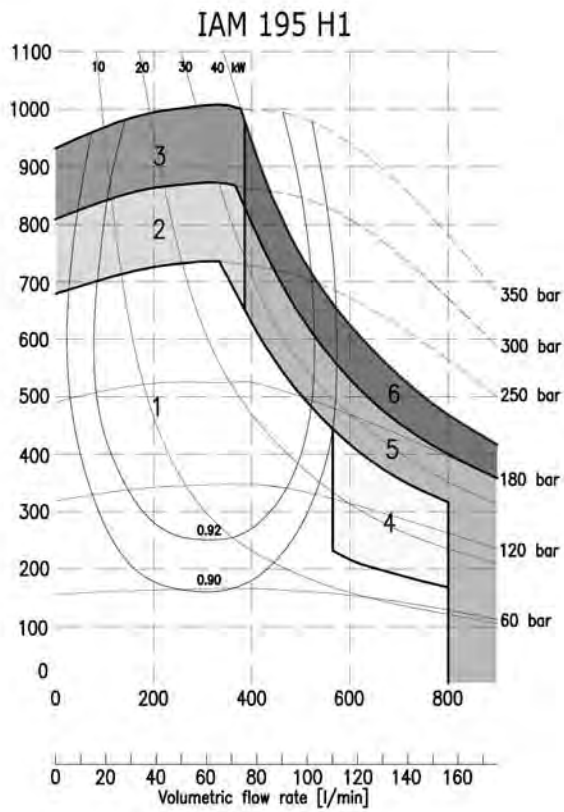


EXAMPLE: IAM.100/BH.H1.A0.D40.J.SB14
IAM.250.H1.A0.D31.TA.SB2



| | |
|---|--|
| 1 | Continuous operation |
| 2 | Intermittent operation for period 3-5 minutes every 10-15 minutes |
| 3 | Intermittent operation for very short period (3-5 seconds every 10-15 minutes) |

| | |
|---|--|
| 4 | Continuous operation with flushing |
| 5 | Intermittent operation for period 3-5 minutes every 10-15 minutes with flushing |
| 6 | Intermittent operation for very short period (3-5 seconds every 10-15 minutes) with flushing |



| | |
|---|--|
| 1 | Continuous operation |
| 2 | Intermittent operation for period 3-5 minutes every 10-15 minutes |
| 3 | Intermittent operation for very short period (3-5 seconds every 10-15 minutes) |

| | |
|---|--|
| 4 | Continuous operation with flushing |
| 5 | Intermittent operation for period 3-5 minutes every 10-15 minutes with flushing |
| 6 | Intermittent operation for very short period (3-5 seconds every 10-15 minutes) with flushing |