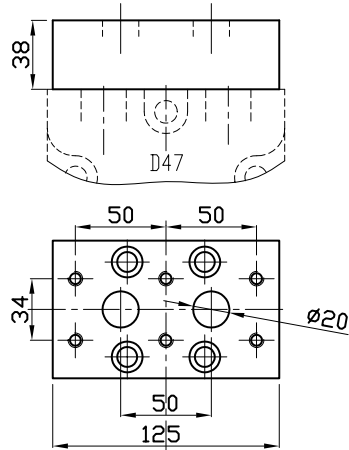


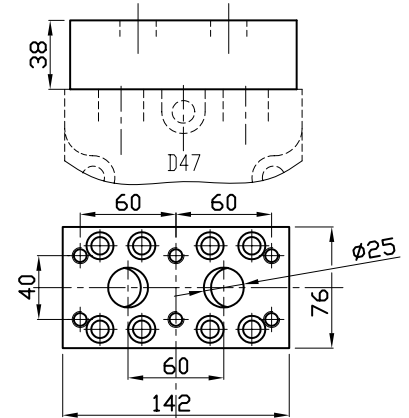
CONVERSION FLANGES

FL1



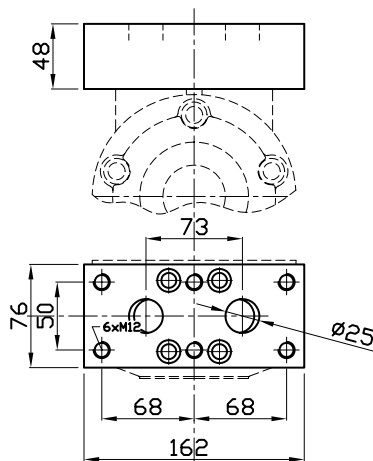
Connection block, fitting D47 distributor, for motor MR 160/190/250/300

FL2



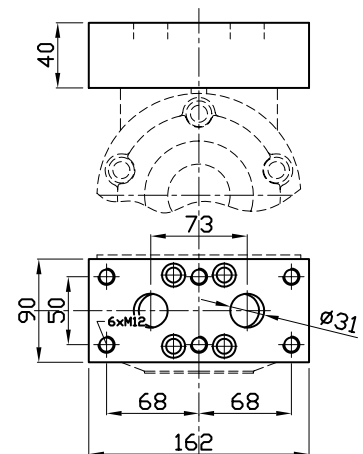
Connection block, fitting D47 distributor, for motor MR 350/450/500/600/700/800

FL3



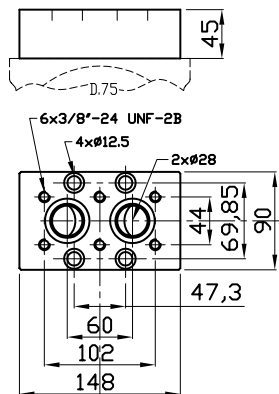
Connection block, fitting D55 distributor, for motor MR 1100/1400/1600/1800/2100

FL4



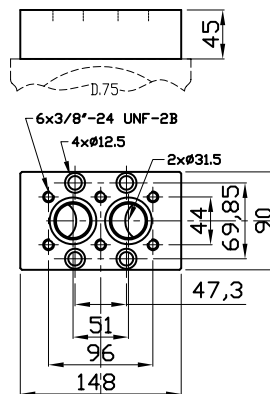
Connection block, fitting D75 distributor, for motor MR 1100/1400/1600/1800/2100

FL5



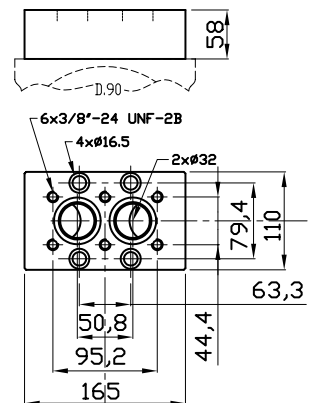
S03 plate for D75

FL6



S04 plate for D75

FL7



S04 plate for D90