

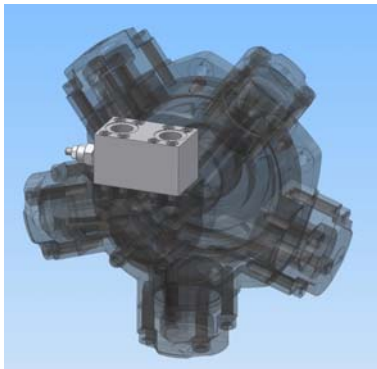
ITALGROUP VALVES GENERAL INFORMATION

ITALGROUP can supply a wide range of flangeable valves, that can be easily mounted on ITALGROUP hydraulic motors.

OVERCENTER VALVE

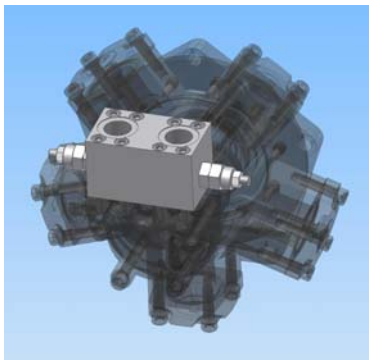
The overcenter valves are required when static and dynamic control is needed.

Single overcenter valve



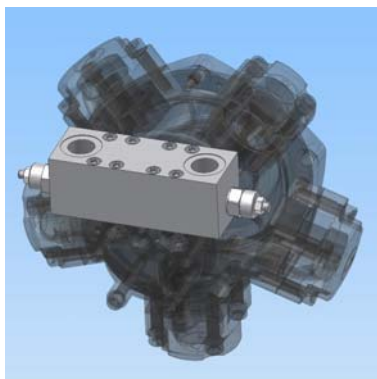
The single overcenter valve (OVSA) is used for unidirectional loads. The single overcenter valve can be supplied with an integrated relief valve too (ORVSA serie).

Dual overcenter valve



The dual overcenter valve (OVDA) is used for bidirectional loads.

DUAL RELIEF VALVE



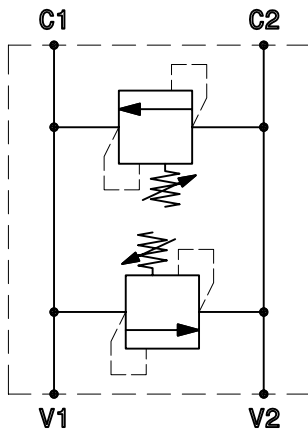
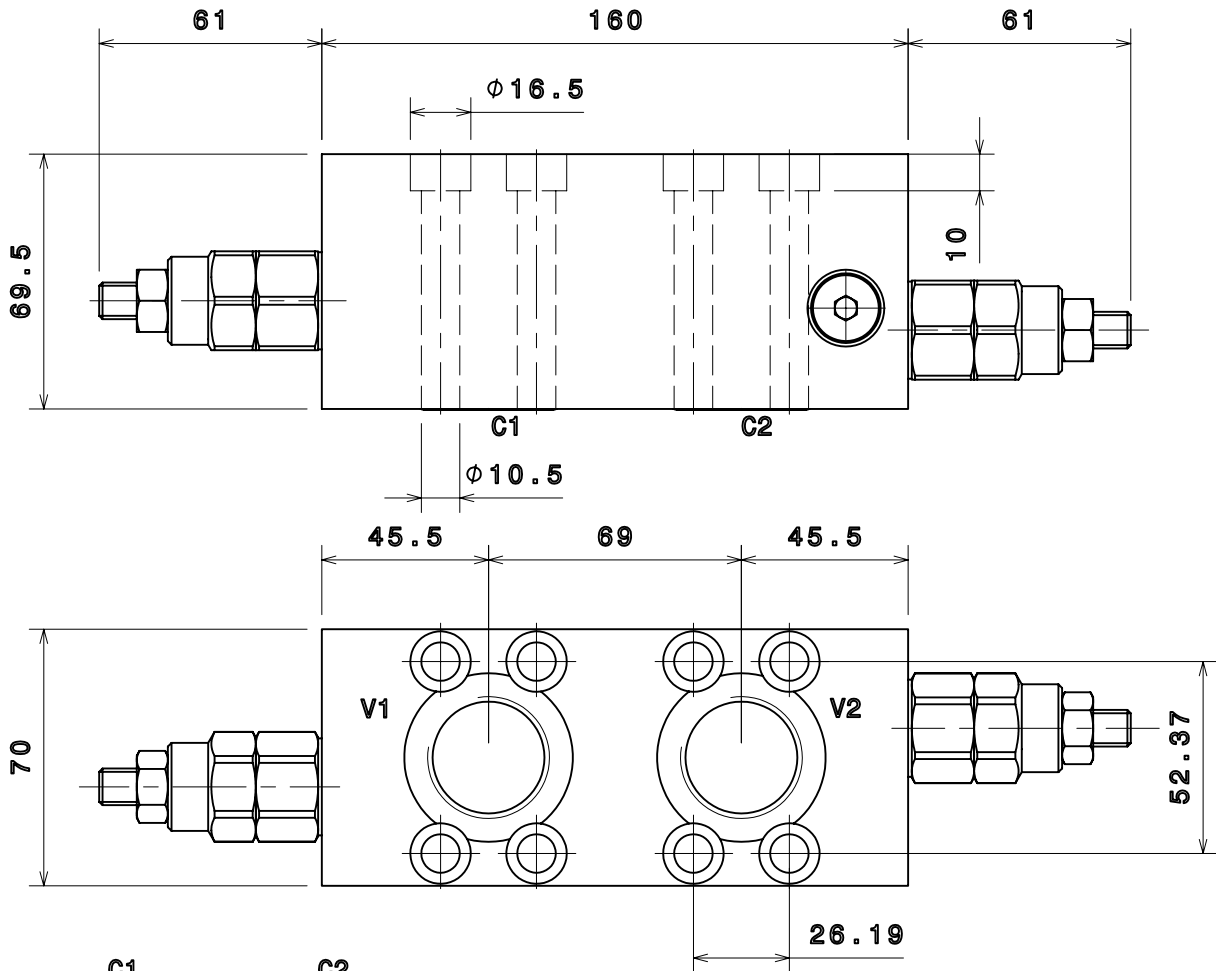
The dual cross over relief valve (RVDA) is used to avoid motor pressure peaks. The maximum pressure can be set adjusting the relief valve screw. The dual cross relief valve can be supplied with an integrated flushing valve (RVDAP serie).

On request, the RVDA valves can be mounted together with OVSA or OVDA valves. For further details please contact Italgrou S.r.l. technical department.

SIZE AND TECHNICAL DATA

RVDA 80

RVDA SERIES



| PORTS DIMENSION | |
|-----------------|--------------|
| V1,V2 | 1" BSPP |
| C1,C2 | O-ring 2-125 |

| TECHNICAL DATA | |
|--|---|
| Material | Anodized aluminium corrosion resistant |
| Maximum pressure | 300 bar |
| Maximum flow rate | 80 l/min |
| Relief valve setting range | A |
| | 20-100 bar standard setting 80 bar |
| | B |
| 40-250 bar standard setting 180 bar | |
| C | |
| 60-350 bar standard setting 250 bar | |

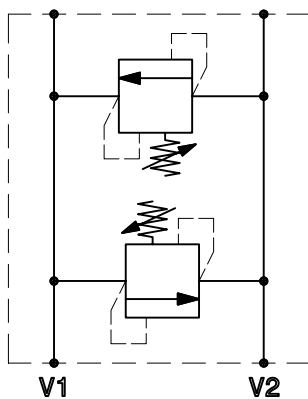
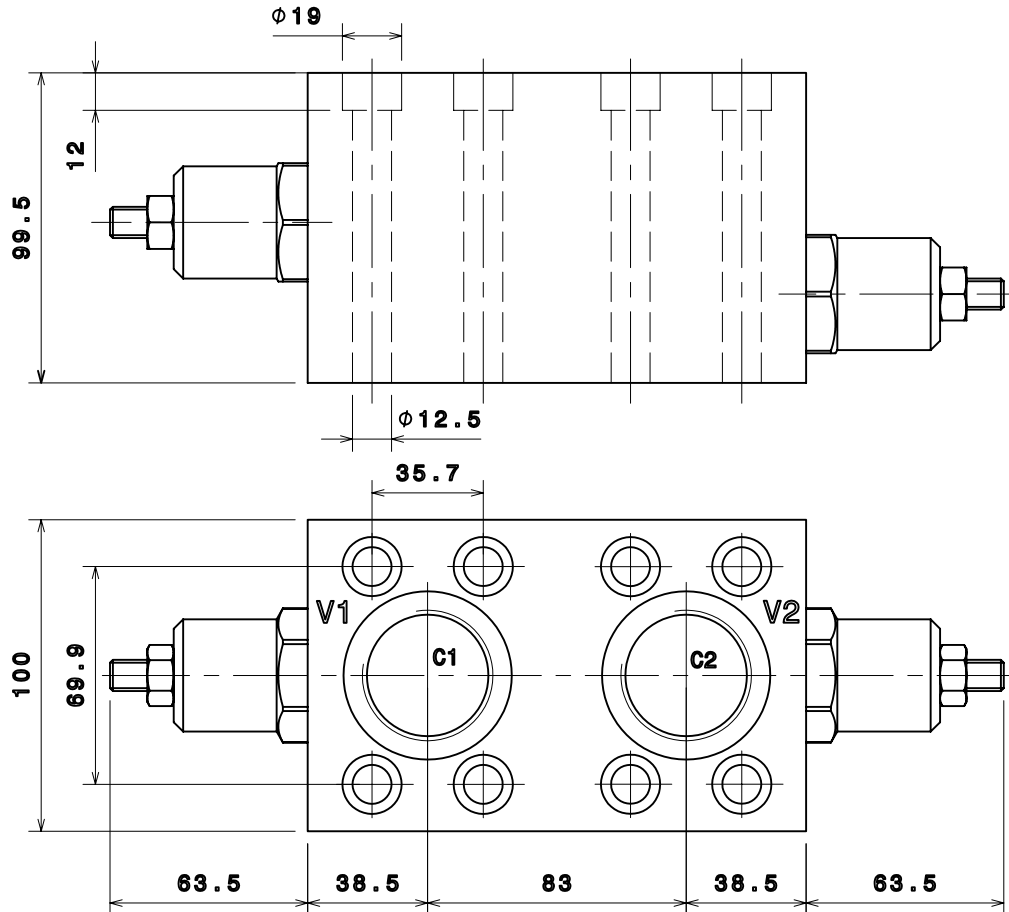
Italgrou distributor fitting

D47

SIZE AND TECHNICAL DATA

RVDA 200

RVDA SERIES



| PORTS DIMENSION | |
|-----------------|--------------|
| V1,V2 | 1"1/4 BSPP |
| C1,C2 | O-Ring 2-224 |

| TECHNICAL DATA | |
|--|---|
| Material | Anodized aluminium corrosion resistant |
| Maximum pressure | 300 bar |
| Maximum flow rate | 200 l/min |
| Relief valve setting range | A |
| | 20-100 bar standard setting 80 bar |
| | B |
| 40-250 bar standard setting 180 bar | |
| C | |
| 60-350 bar standard setting 250 bar | |

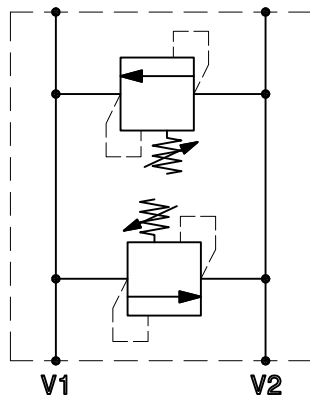
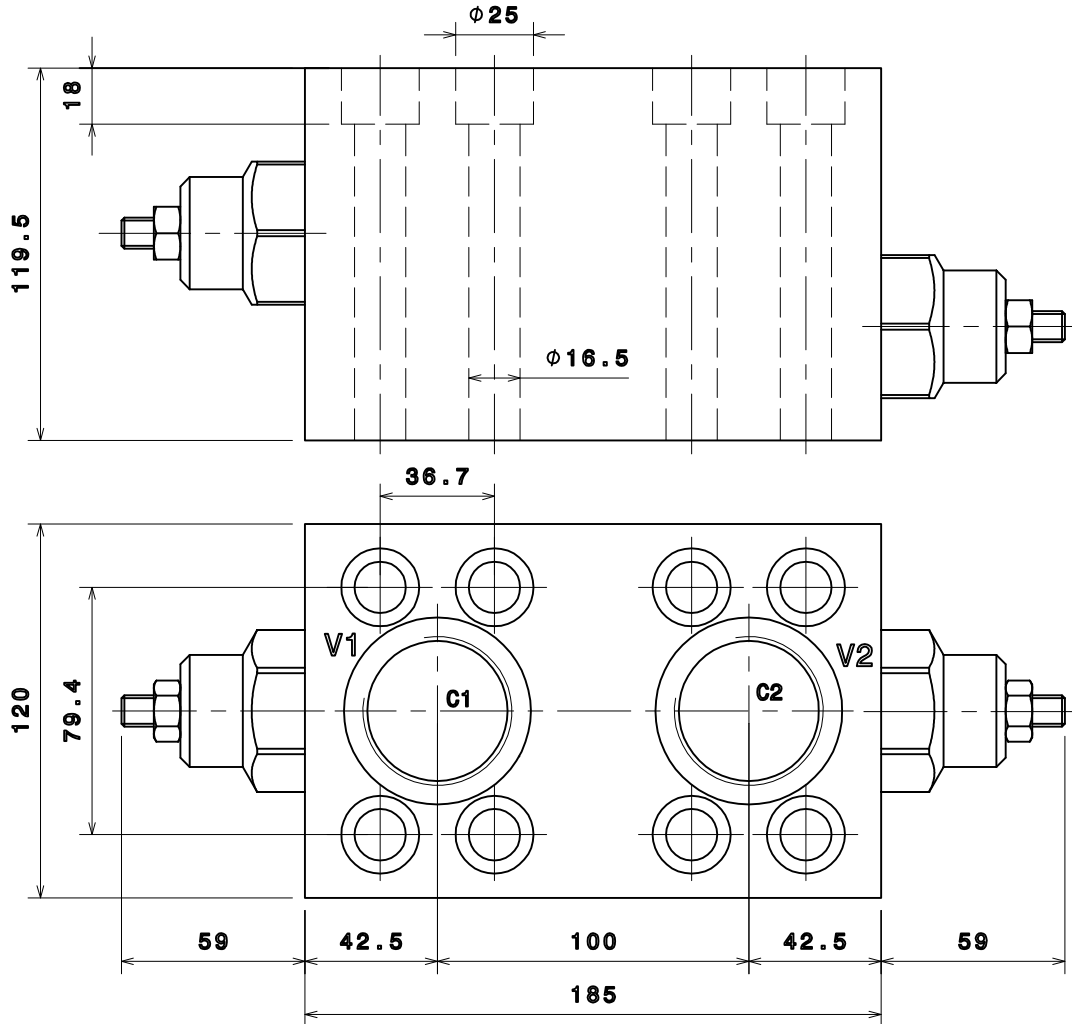
Italgroup distributor fitting

D75

SIZE AND TECHNICAL DATA

RVDA 380

RVDA SERIES



| PORTS DIMENSION | |
|-----------------|--------------|
| V1,V2 | 1"1/2 BSPP |
| C1,C2 | O-Ring 2-225 |

| TECHNICAL DATA | |
|--|---|
| Material | Anodized aluminium corrosion resistant |
| Maximum pressure | 300 bar |
| Maximum flow rate | 380 l/min |
| Relief valve setting range | A |
| | 20-100 bar standard setting 80 bar |
| | B |
| 40-250 bar standard setting 180 bar | |
| C | |
| 60-350 bar standard setting 250 bar | |

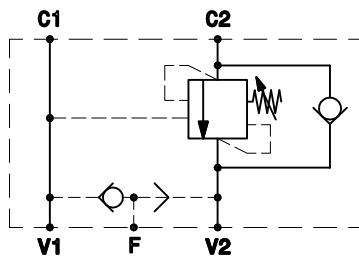
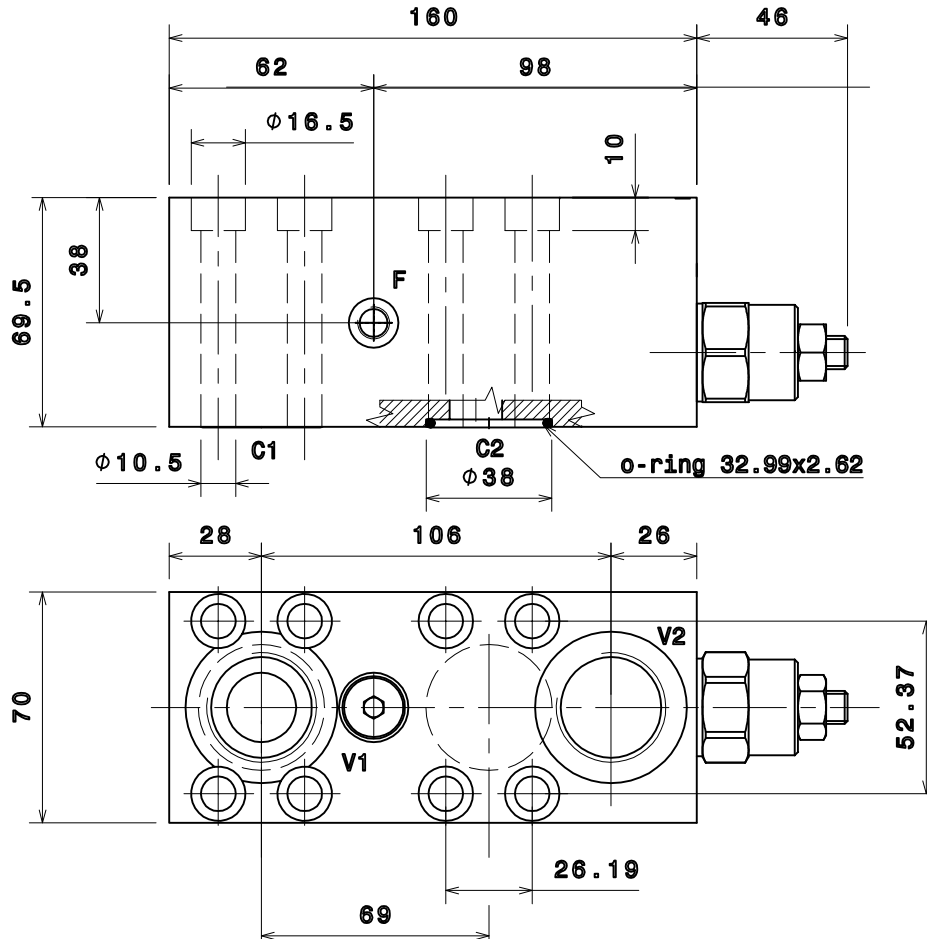
Italgroup distributor fitting

D90

SIZE AND TECHNICAL DATA

OVSA 160

OVSA SERIES



| PORTS DIMENSION | |
|-----------------|--------------|
| V1,V2 | 1" BSPP |
| C1,C2 | O-ring 2-125 |
| F | 1/4" BSPP |

| TECHNICAL DATA | | |
|----------------------------|---|--------------------------|
| Material | Anodized aluminium corrosion resistant | |
| Peak pressure | 350 bar | |
| Maximum pressure | 270 bar | |
| Maximum flow rate | 150 l/min | |
| Pilot ratio | 1 | 3:1 |
| | 2 | 4.25:1 |
| | 3 | 8:1 |
| | 4 | 10:1 |
| Relief valve setting range | A | 20-200 bar |
| | | standard setting 100 bar |
| | B | 50-350 bar |
| | | standard setting 280 bar |

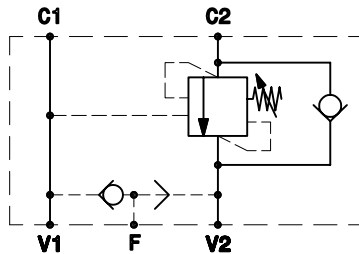
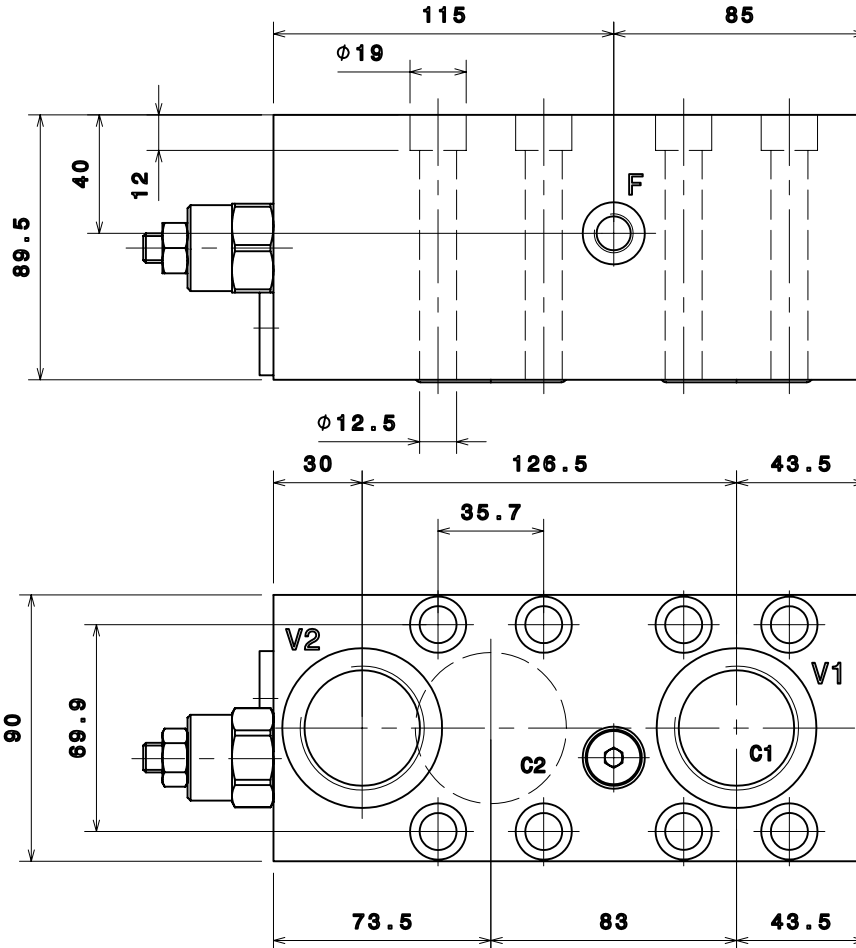
Italgrou distributor fitting

D47

SIZE AND TECHNICAL DATA

OVSA 300

OVSA SERIES



| PORTS DIMENSION | |
|-----------------|--------------|
| V1,V2 | 1"1/4 BSPP |
| C1,C2 | O-Ring 2-224 |
| F | 1/4" BSPP |

| TECHNICAL DATA | |
|----------------------------|---|
| Material | Anodized aluminium corrosion resistant |
| Peak pressure | 350 bar |
| Maximum pressure | 300 bar |
| Maximum flow rate | 300 l/min |
| Pilot ratio | 1 3:1 |
| | 2 4.25:1 |
| | 3 8:1 |
| | 4 10:1 |
| Relief valve setting range | A 20-200 bar standard setting 100 bar |
| | B 50-350 bar standard setting 280 bar |

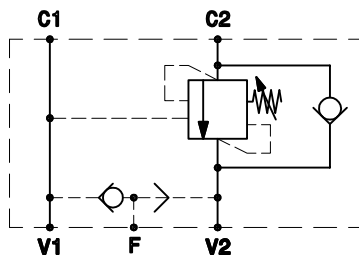
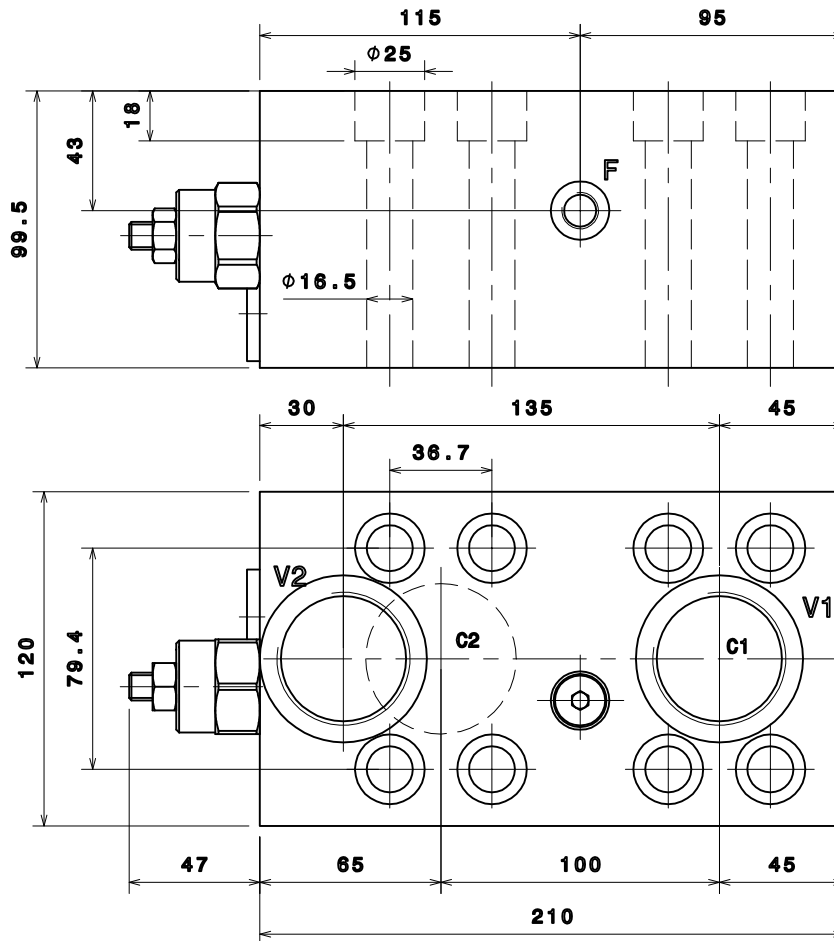
Italgrou distributor fitting

D75

SIZE AND TECHNICAL DATA

OVSA 480

OVSA SERIES



| PORTS DIMENSION | |
|-----------------|--------------|
| V1,V2 | 1"1/2 BSPP |
| C1,C2 | O-Ring 2-225 |
| F | 1/4" BSPP |

| TECHNICAL DATA | |
|----------------------------|--|
| Material | Anodized aluminium corrosion resistant |
| Peak pressure | 350 bar |
| Maximum pressure | 300 bar |
| Maximum flow rate | 480 l/min |
| Pilot ratio | 1 3:1 |
| | 2 4.25:1 |
| | 3 8:1 |
| | 4 10:1 |
| Relief valve setting range | A 20-200 bar standard setting 100 bar |
| | B 50-350 bar standard setting 280 bar |

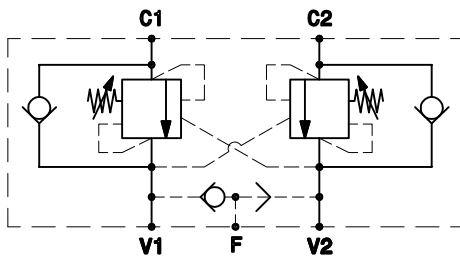
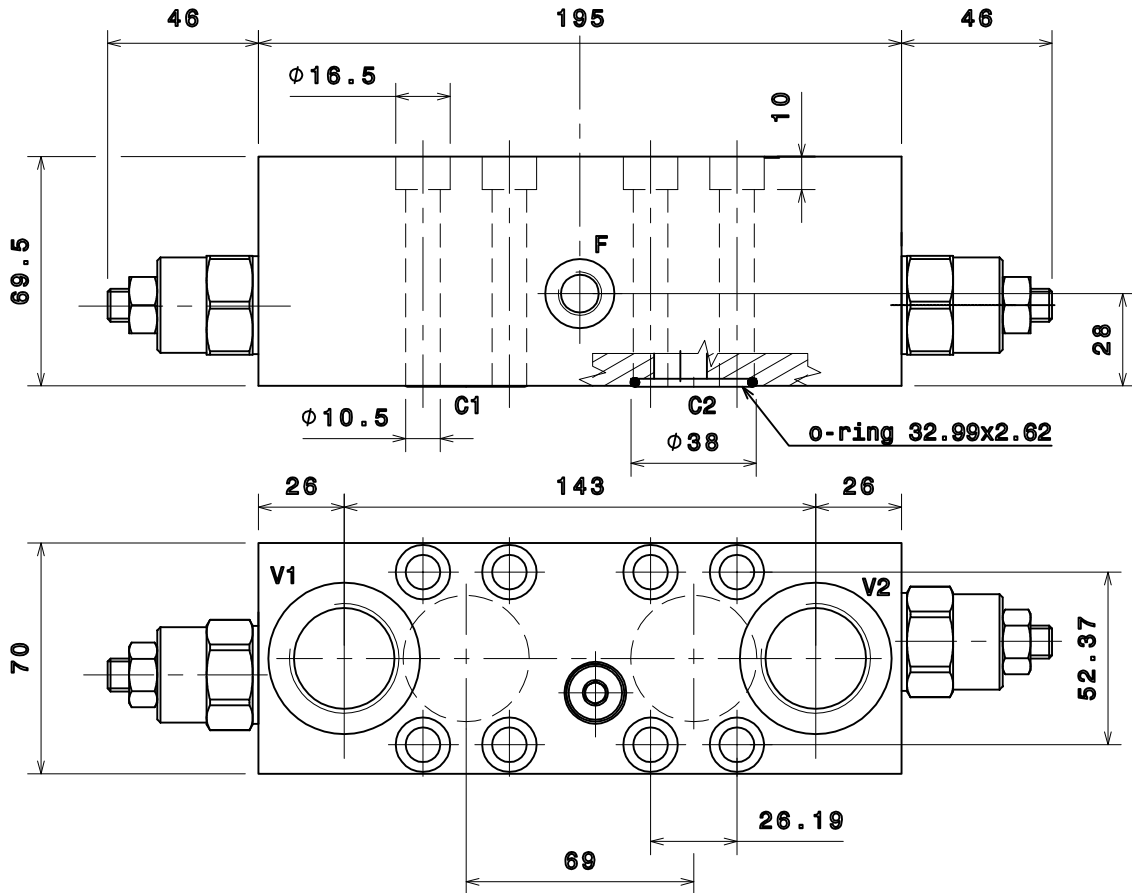
Italgrou distributor fitting

D90

SIZE AND TECHNICAL DATA

OVDA 160

OVDA SERIES



| PORTS DIMENSION | |
|-----------------|--------------|
| V1,V2 | 1" BSPP |
| C1,C2 | O-ring 2-125 |
| F | 1/4" BSPP |

| TECHNICAL DATA | |
|----------------------------|---|
| Material | Anodized aluminium corrosion resistant |
| Peak pressure | 350 bar |
| Maximum pressure | 270 bar |
| Maximum flow rate | 150 l/min |
| Pilot ratio | 1 3:1 |
| | 2 4.25:1 |
| | 3 8:1 |
| | 4 10:1 |
| Relief valve setting range | A 20-200 bar standard setting 100 bar |
| | B 50-350 bar standard setting 280 bar |

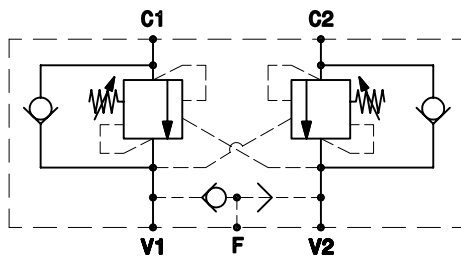
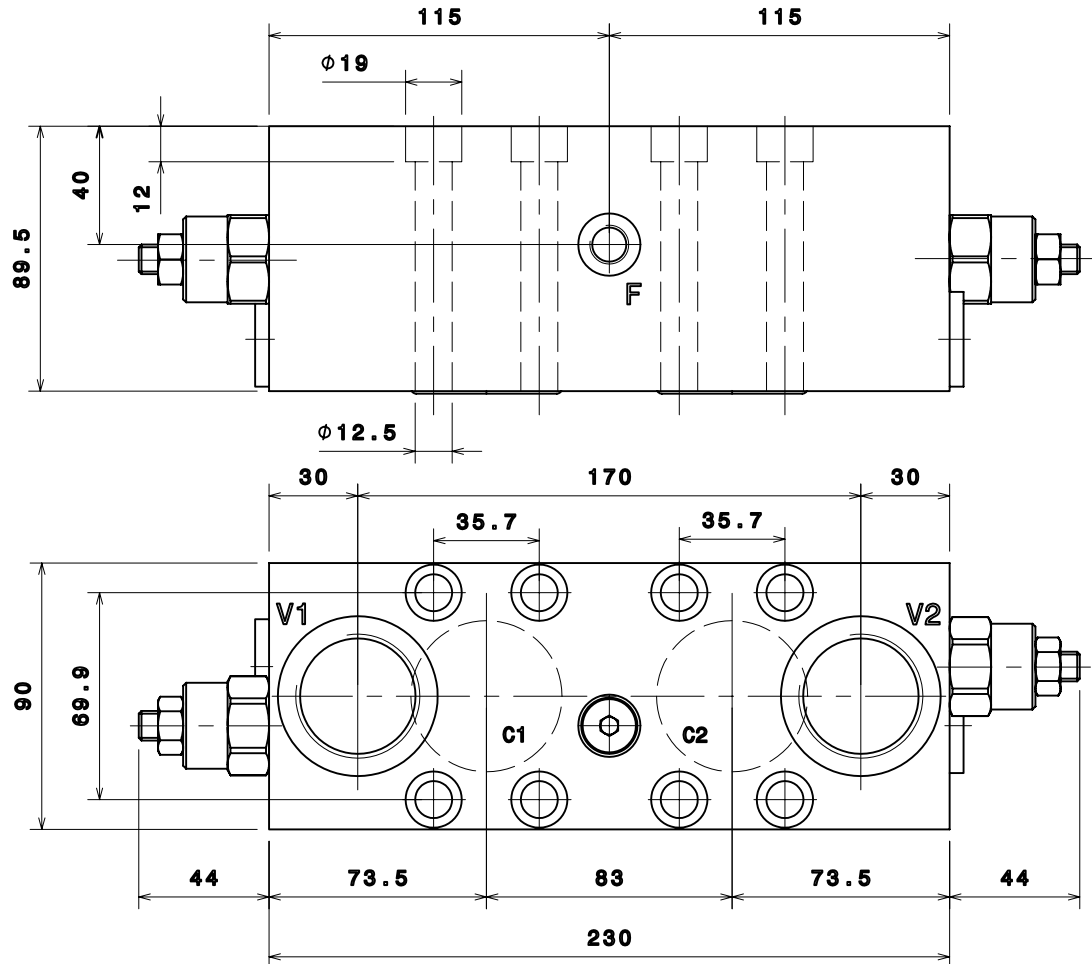
Italgroup distributor fitting

D47

SIZE AND TECHNICAL DATA

OVDA 300

OVDA SERIES



| PORTS DIMENSION | |
|-----------------|--------------|
| V1,V2 | 1"1/4 BSPP |
| C1,C2 | O-Ring 2-224 |
| F | 1/4" BSPP |

TECHNICAL DATA

| | | |
|----------------------------|---|--|
| Material | Anodized aluminium corrosion resistant | |
| Peak pressure | 350 bar | |
| Maximum pressure | 300 bar | |
| Maximum flow rate | 300 l/min | |
| Pilot ratio | 1 | 3:1 |
| | 2 | 4.25:1 |
| | 3 | 8:1 |
| | 4 | 10:1 |
| Relief valve setting range | A | 20-200 bar standard setting 100 bar |
| | B | 50-350 bar standard setting 280 bar |

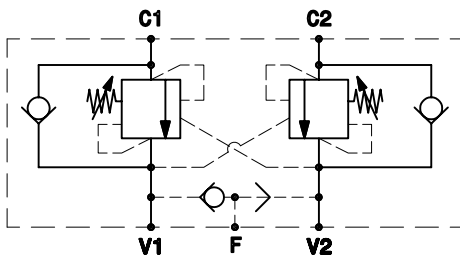
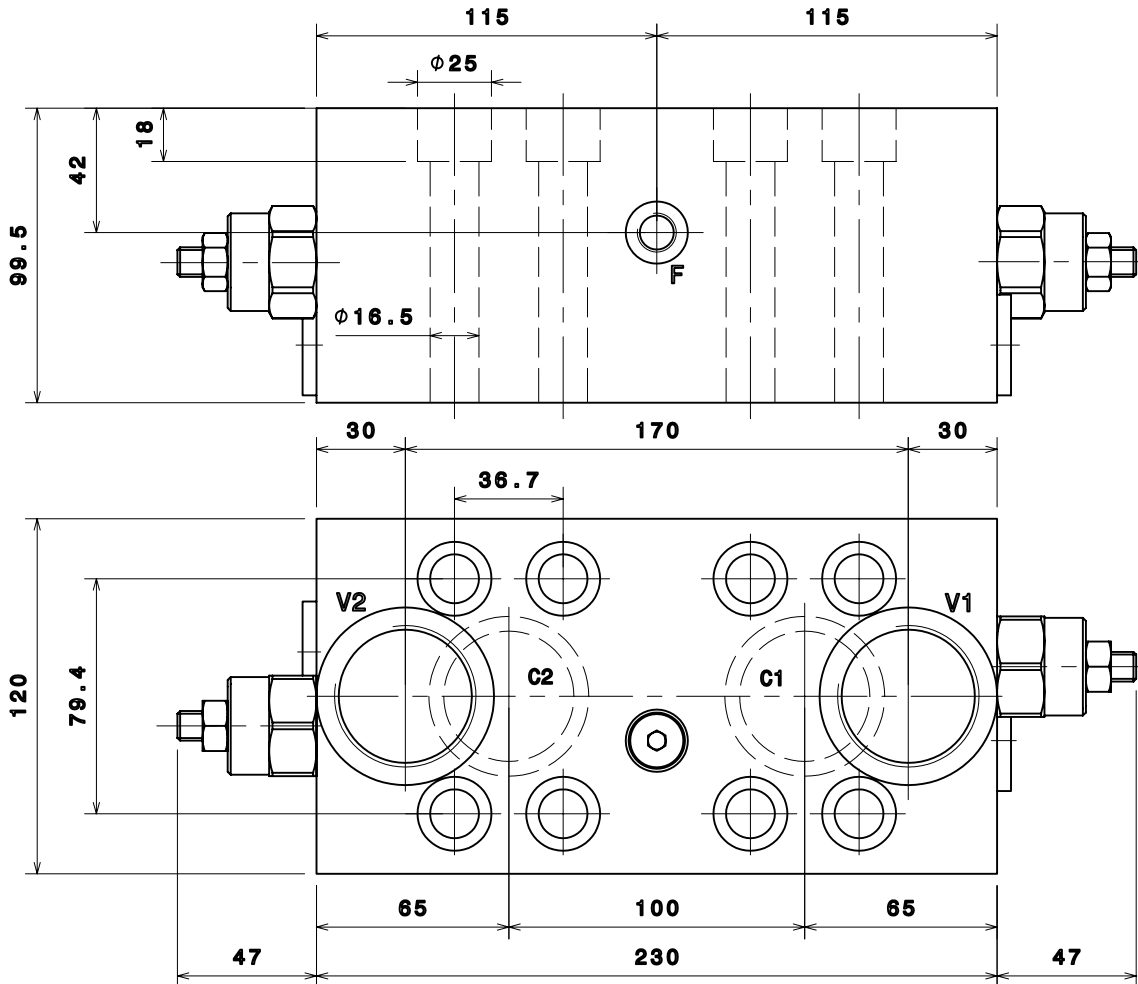
Italgrou distributor fitting

D75

SIZE AND TECHNICAL DATA

OVDA 480

OVDA SERIES



| PORTS DIMENSION | |
|-----------------|--------------|
| V1,V2 | 1"1/2 BSPP |
| C1,C2 | O-Ring 2-225 |
| F | 1/4" BSPP |

TECHNICAL DATA

| | | |
|----------------------------|---|--|
| Material | Anodized aluminium corrosion resistant | |
| Peak pressure | 350 bar | |
| Maximum pressure | 300 bar | |
| Maximum flow rate | 480 l/min | |
| Pilot ratio | 1 | 3:1 |
| | 2 | 4.25:1 |
| | 3 | 8:1 |
| | 4 | 10:1 |
| Relief valve setting range | A | 20-200 bar standard setting 100 bar |
| | B | 50-350 bar standard setting 280 bar |

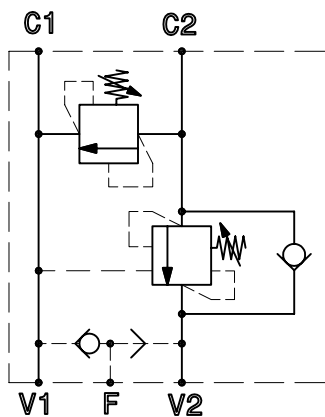
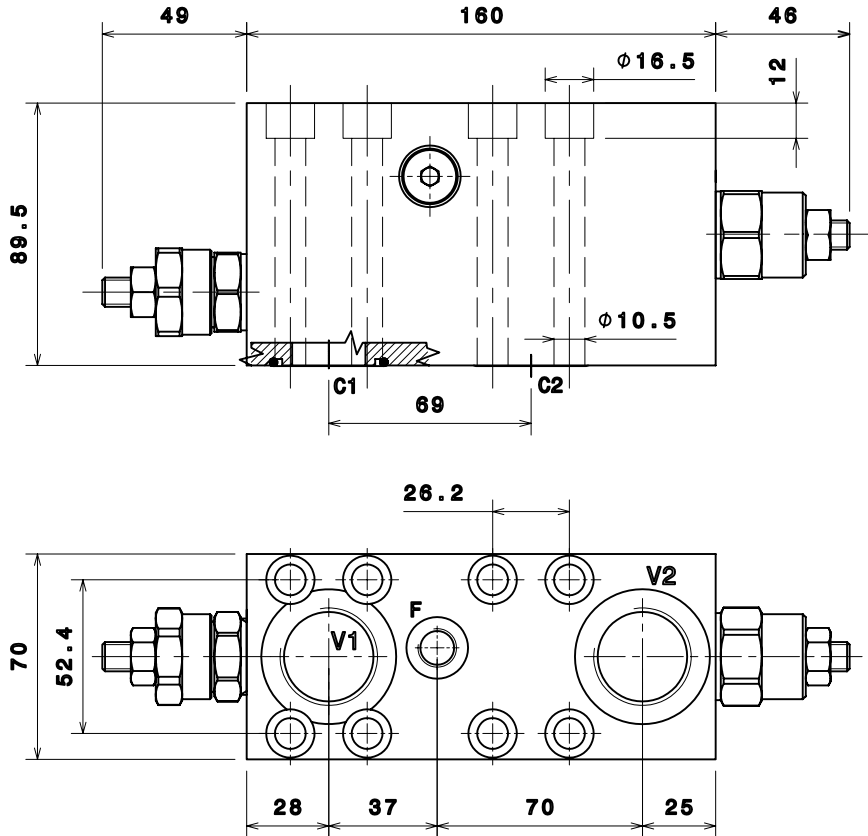
Italgrou distributor fitting

D90

SIZE AND TECHNICAL DATA

ORVSA 160

ORVSA SERIES



| PORTS DIMENSION | |
|-----------------|--------------|
| V1,V2 | 1" BSPP |
| C1,C2 | O-Ring 2-126 |
| F | 1/4" BSPP |

| TECHNICAL DATA | |
|-----------------------------------|---|
| Material | Anodized aluminium corrosion resistant |
| Peak pressure | 350 bar |
| Maximum pressure | 300 bar |
| Maximum flow rate | 150 l/min |
| Pilot ratio | 1 3:1 |
| | 2 4.25:1 |
| | 3 8:1 |
| | 4 10:1 |
| OVC relief valve setting range | A 20-200 bar standard setting 100 bar |
| | B 50-350 bar standard setting 280 bar |
| VLP relief valve setting range | A 20-100 bar standard setting 80 bar |
| | B 40-250 bar standard setting 180 bar |
| | C 60-350 bar standard setting 250 bar |

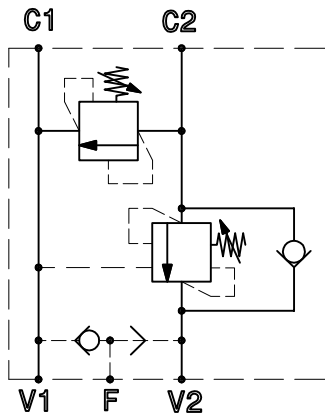
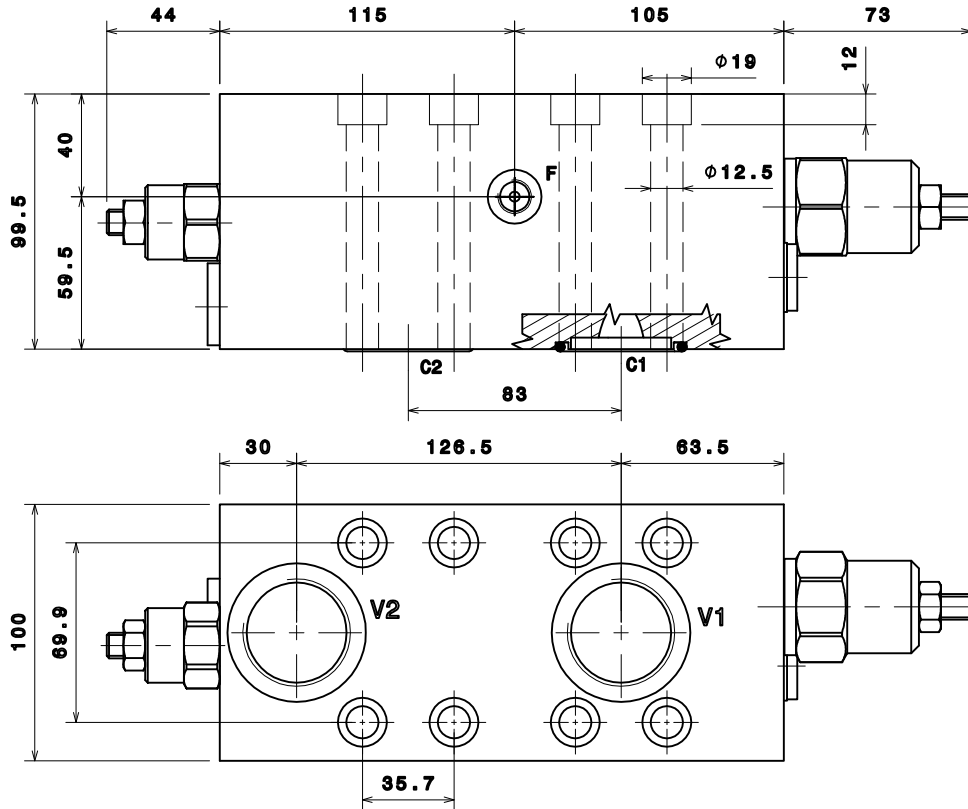
Italgrou distributor fitting

D47

SIZE AND TECHNICAL DATA

ORVSA 300

ORVSA SERIES



| PORTS DIMENSION | |
|-----------------|--------------|
| V1,V2 | 1"1/4 BSPP |
| C1,C2 | O-Ring 2-224 |
| F | 1/4" BSPP |

| TECHNICAL DATA | |
|-----------------------------------|---|
| Material | Anodized aluminium corrosion resistant |
| Peak pressure | 350 bar |
| Maximum pressure | 300 bar |
| Maximum flow rate | 300 l/min |
| Pilot ratio | 1 3:1 |
| | 2 4.25:1 |
| | 3 8:1 |
| | 4 10:1 |
| OVC relief valve setting range | A 20-200 bar standard setting 100 bar |
| | B 50-350 bar standard setting 280 bar |
| VLP relief valve setting range | A 20-100 bar standard setting 80 bar |
| | B 40-250 bar standard setting 180 bar |
| | C 60-350 bar standard setting 250 bar |

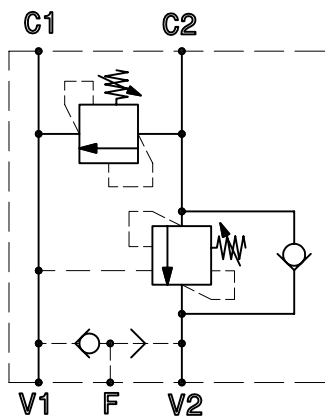
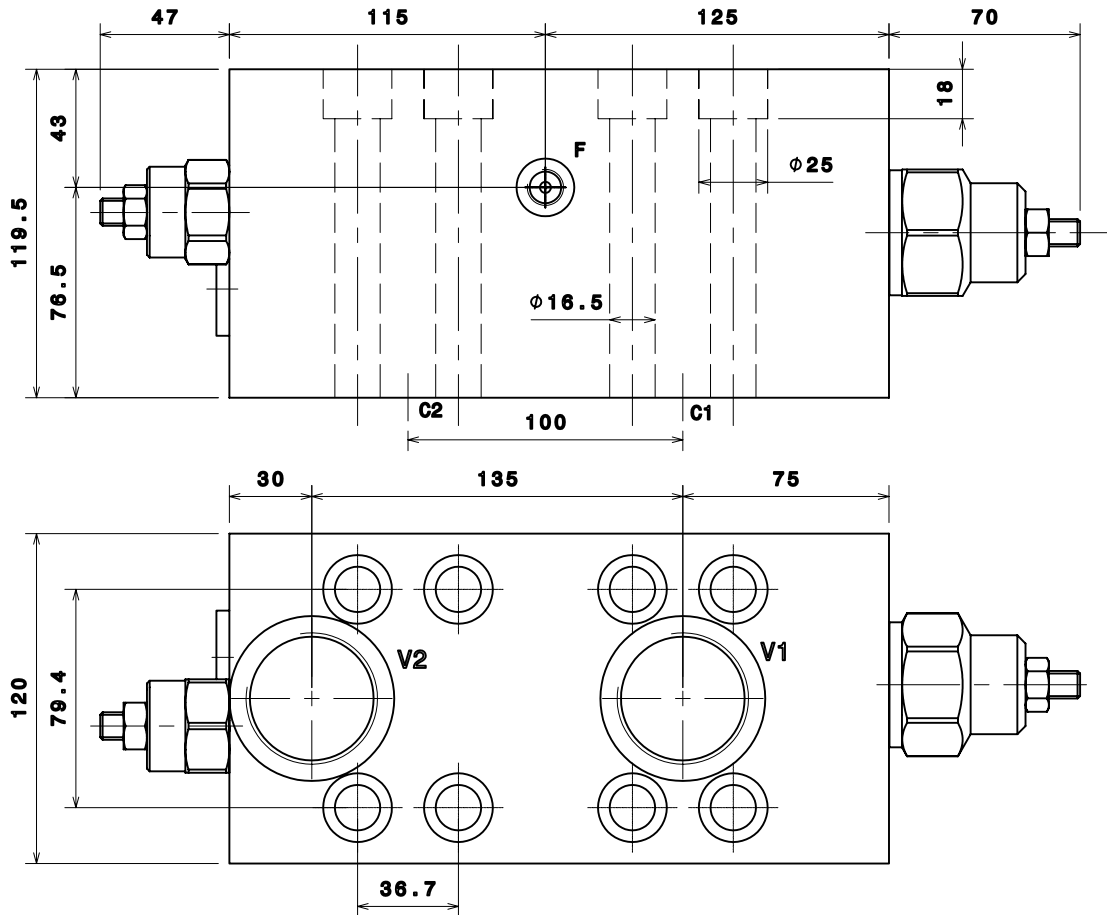
Italgroup distributor fitting

D75

SIZE AND TECHNICAL DATA

ORVSA 480

ORVSA SERIES



| PORTS DIMENSION | |
|-----------------|--------------|
| V1,V2 | 1"1/2 BSPP |
| C1,C2 | O-Ring 2-225 |
| F | 1/4" BSPP |

| TECHNICAL DATA | |
|--------------------------------|--|
| Material | Anodized aluminium corrosion resistant |
| Peak pressure | 350 bar |
| Maximum pressure | 300 bar |
| Maximum flow rate | 480 l/min |
| Pilot ratio | 1 3:1 |
| | 2 4.25:1 |
| | 3 8:1 |
| OVC relief valve setting range | A 20-200 bar standard setting 100 bar |
| | B 50-350 bar standard setting 280 bar |
| VLP relief valve setting range | A 20-100 bar standard setting 80 bar |
| | B 40-250 bar standard setting 180 bar |
| | C 60-350 bar standard setting 250 bar |

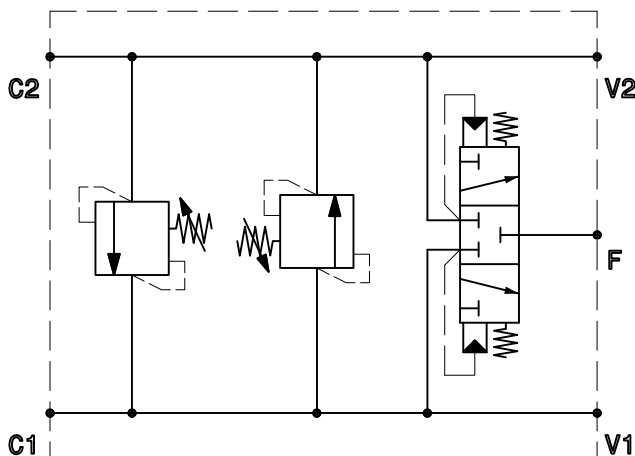
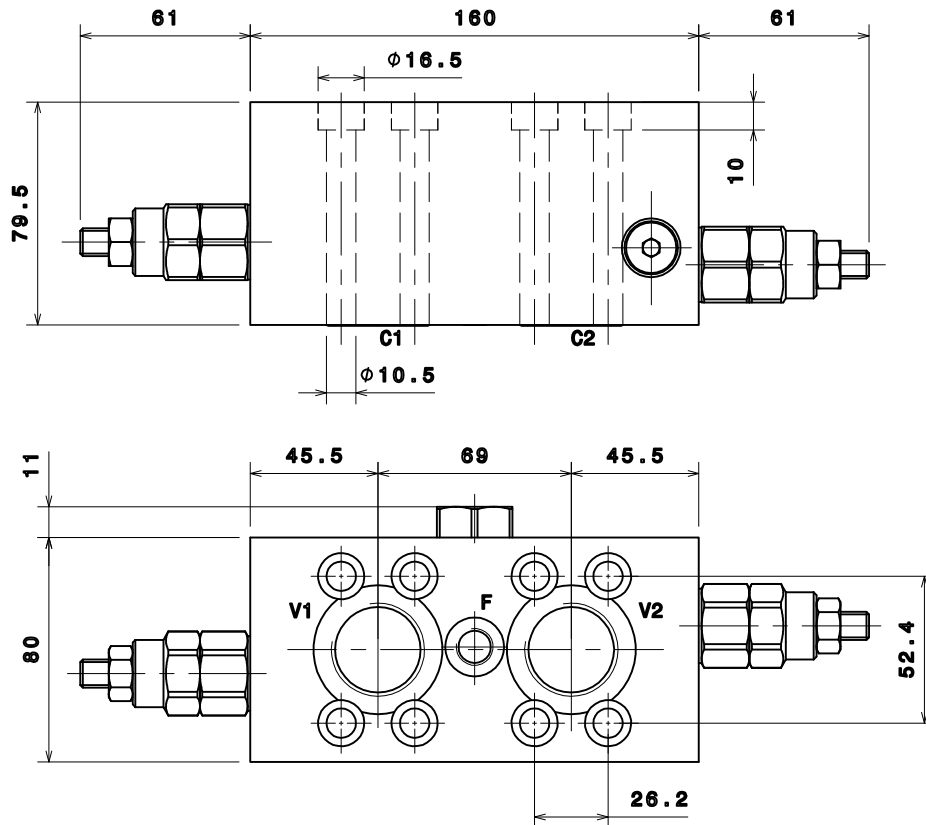
Italgrou distributor fitting

D90

SIZE AND TECHNICAL DATA

RVDAP 80

RVDAP SERIES



| TECHNICAL DATA | |
|----------------------------|--|
| Material | Anodized aluminium corrosion resistant |
| Maximum pressure | 300 bar |
| Maximum flow rate | 80 l/min |
| Relief valve setting range | A 20-100 bar standard setting 80 bar |
| | B 40-250 bar standard setting 180 bar |
| | C 60-350 bar standard setting 250 bar |

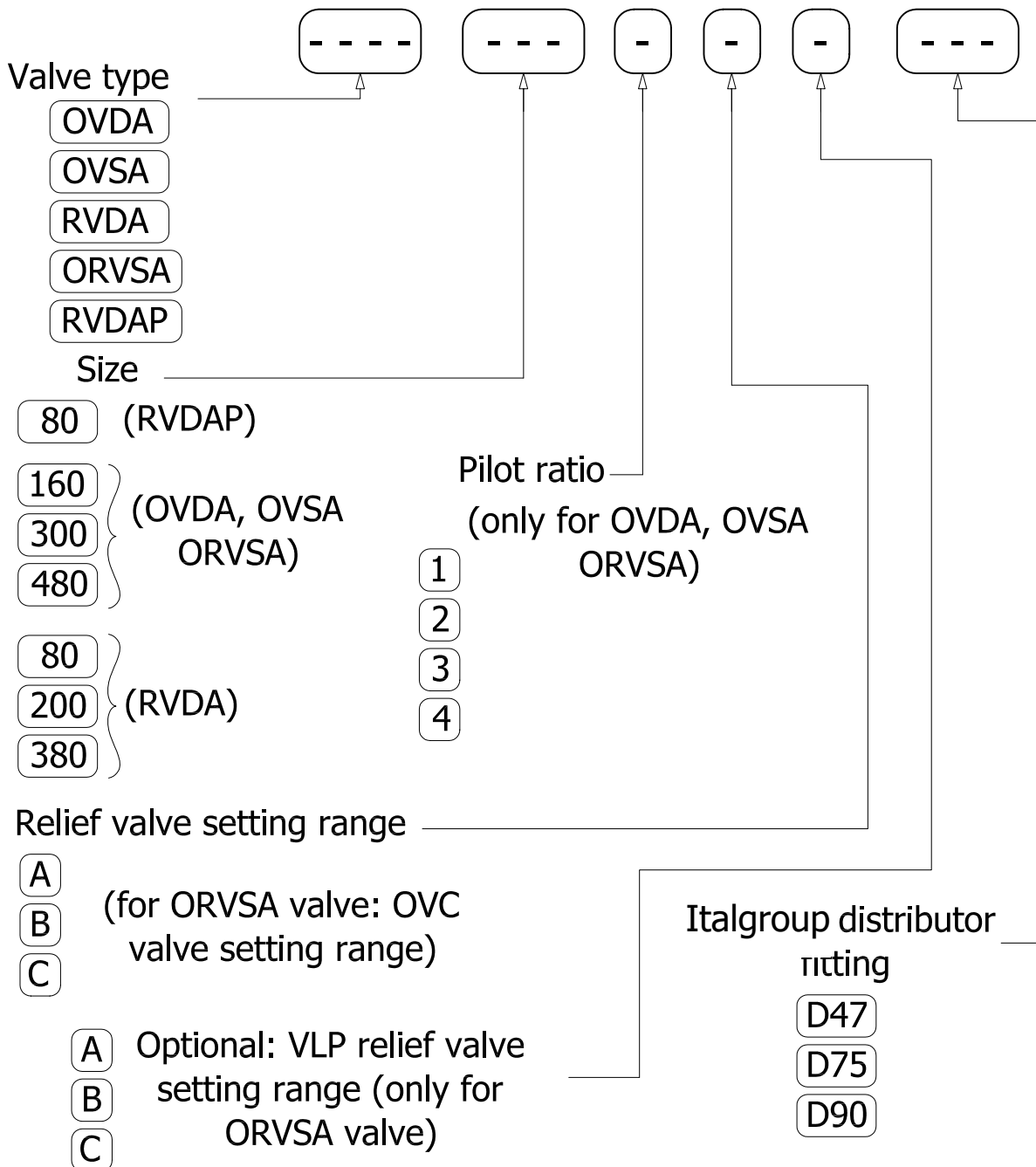
| PORTS DIMENSION | |
|-----------------|--------------|
| V1,V2 | 1" BSPP |
| C1,C2 | O-Ring 2-125 |
| F | 1/4" BSPP |

Italgrou distributor fitting

D47

ORDERING INSTRUCTIONS

VALVES



EXAMPLE: OVDA.300.1.A.D75
 RVDA.200.C.D75
 OVSA.160.2.B.D47
 OVDA.480.1.A.D90
 ORVSA.160.3.A.B.D47
 RVDAP.80.B.D47